

BRODA[®]

Operating Manual

Vanguard Bariatric Wheelchair



Distributor/Rep: This manual must be given to the caregiver responsible for this chair and its occupant.

Caregiver: Before using this chair, read this manual thoroughly and save for future reference.

Contents

FOREWORD.....	1
GENERAL INFORMATION.....	2
1 DEFINITIONS	3
2 SAFETY REQUIREMENTS	4
2.1 Training.....	4
2.2 Application.....	4
2.3 Shipping and Storage	4
2.4 Pre-Service Check.....	5
2.5 Hazards	5
2.5.1 Position of Chair - “Danger of Falling”	5
2.5.2 Position of Seat Tilt - “Danger of Tipping”.....	5
2.5.3 Location of Chair - “Danger of Tipping or Falling Objects”.....	5
2.5.4 Total Lock Wheel Brakes - “Danger of Falling”	5
2.5.5 Re-Positioning of Resident - “Danger of Clamping”.....	6
2.5.6 Unintended Movement - “Danger of Falling or Collision”.....	6
2.5.7 Resident Clothing - “Risk of Injury to Resident’s Skin”	6
2.5.8 Improper Restraint Use - “Risk of Serious Injury”	6
2.6 Improper Use.....	6
2.7 Cleaning.....	7
2.8 Maintenance.....	8
2.9 Resident Specific Instructions.....	8
3 OPERATION AND MOVEMENT	9
3.1 Seat Tilt – Posterior and Anterior	10
3.2 Back Recline	10
3.3 Elevating Leg Rest.....	11
3.4 Length Adjustable Leg Rest.....	11
3.5 Removable Wings	11
3.6 Shoulder Bolsters	12
3.7 Swing Away/Removable Arms.....	12
3.8 Height Adjustable Armrests.....	13
3.9 Adjustable Seat Depth.....	14
3.10 Adjustable Seat Height.....	15
3.11 Adjustable Back Length.....	16
3.12 Stand Assist Grips.....	16
3.13 Casters.....	17
3.14 Accessories (Options)	17
4 INSPECTION AND FUNCTIONAL TESTING	18
4.1 Inspection.....	18
4.2 Functional Testing.....	18
5 TECHNICAL INFORMATION.....	19
5.1 Specifications	19
5.3 Broda Seating Vanguard Parts Schematic Drawing	20
6 COMMON TROUBLESHOOTING AND REPAIR	222
6.1 Troubleshooting for Gas Cylinders (Recline and Legrest Elevation)	222
6.2 Rear Casters	233
7 WARRANTY	244

FOREWORD

Congratulations on your purchase of a Broda chair and thank you for your confidence in our company and products.

Broda assumes a leadership role in providing optimum re-positioning functions and mobility for residents of long-term care institutions. Our chairs do not look like traditional chairs and offer advantages unique to Broda. We are sure that after using your Broda chair, you will be convinced that your resident's quality of life will be greatly enhanced.

This manual will assist you in making the best use of the capabilities of your Broda chair and will ensure that you quickly become familiar with its operation.

After reading this manual, if you have any questions about the safe and effective operation of your Broda chair or accessories contact your local Broda representative or our Head Office Customer Service personnel for further assistance.

Head Office:
Broda
15455 Conway Road Suite 200
Chesterfield, Missouri USA 63017
Phone: 1 (844) 552-7632
Fax: 1 (844) 442-7632
E-mail: sales@brodaseating.com
URL: www.brodaseating.com

GENERAL INFORMATION

This document provides guidance on the safe and effective operation of the Broda chair.

Information in this manual must be followed at all times.

Anyone involved with the operation or maintenance of the Broda chair, including the resident's family members, must read this operating manual before using the chair.

The resident's primary caregiver is responsible for ensuring that anyone who is unfamiliar with, unwilling, or unable to adhere to the safety and operating instructions, is not permitted to operate or move the chair.

A copy of this instruction manual must always be available.

Broda accepts no liability for damages, injury or accidents caused by operating errors, improper maintenance, or disregard of the instructions in this manual, including any resident specific instructions.

Broda reserves the right to make changes to the specifications, dimensions, functions, or components of its products without notice. Product representations in this manual may vary from delivered products.

Each Broda chair has a unique identifying serial number that must be maintained on the chair as well as with any equipment records.

1 DEFINITIONS

“Broda” means Broda Enterprises Inc. doing business as Broda Seating.

“Broda chair” refers to model Vanguard Bariatric Tilt Recliner Model.

“Long-Term Care Institution” refers to a nursing home, hospital, or other healthcare facility that provides health and personal care to its residents on a long-term basis.

“Resident” refers to an individual living in a long-term care institution under the care of professional caregivers.

“Professional Caregiver” refers to doctors, nurses, therapists, nursing aids, healthcare aids, and other specialists who work in a long-term care institution and provide health and personal care to its residents.

“Caregiver” refers to any person in a long-term care institution who is appropriately trained to provide care or services to the resident or the chair used by the resident and may include the resident’s family members or guardian.

“Seat Tilt” refers to changing the relative angle between the chair’s seat and the chair frame or ground without changing the relative angle between the back and the seat.

“Back Recline” refers to changing the relative angle between the chair’s back and the seat.

“Footrest Elevation” and “Leg Rest Elevation” refers to changing the relative angle between the chair’s footrest and/or leg rest and the seat.

“Transfer(s)” refers to the movement of a resident into or out of the chair with the assistance of their caregiver(s).

“Mechanical Transfer(s)” refers to the movement of a resident into or out of the chair with the assistance of their caregiver(s) using a patient lift or other assistive device that bares the weight of the resident.

2 SAFETY REQUIREMENTS

2.1 Training

Before the chair is put into service, this manual must be read thoroughly by the caregiver(s) directly responsible for the resident's care.

After the chair is put into service, this manual must be read thoroughly by any new caregivers prior to operating or moving the chair.

For the purpose of this manual, a resident's family member who shares responsibility for their care is considered a caregiver and is subject to the same competency before being permitted by the resident's primary caregiver to operate or move the chair.

Prior to first use, the customer must arrange for an in-service on the operation and safety requirements in this manual, must be given to the resident's caregivers by the local Broda representative who supplied the chair.

The primary caregiver must maintain a list of caregivers who have read this manual and who they have authorized to operate and move the chair.

The resident's primary caregiver is responsible for ensuring that anyone who is unfamiliar with, unwilling, or unable to adhere to the safety and operating instructions, is not permitted to operate or move the chair.

The operations of the chair must be performed by the resident's primary caregiver who is responsible for seating. All The operations and adjustments performed should be done in a manner to ensure the overall safety, comfort and well-being of the resident, caregiver and third party. All operations and adjustments required for the resident should be determined by the resident's primary caregiver who is responsible for seating.

2.2 Application

The suitability of a Broda chair must be determined by a qualified caregiver who is familiar with the seating needs of the intended resident. Any other use of the chair is excluded from possible liability claims.

The Vanguard Tilt Recliner is not to be used in the shower. The frame and components will rust, and will void the warranty.

The chairs are not explosion resistant and must not be used where there are flammable gases or liquids present (e.g., anesthetics, volatile solvents and cleaners, etc.)

Broda chairs are designed for use with specific Broda parts and accessories. The use of non-Broda parts or accessories with a Broda will void the warranty and is excluded from possible liability claims.

Broda chairs may only be used as described in this manual and with proper regard for recognized healthcare and workplace safety and accident prevention practices.

2.3 Shipping and Storage

Broda chairs should be shipped and stored in an upright position and not stacked higher than 3 boxes. No other materials should be shipped or stored on top of a Broda box.

Broda chairs should be shipped and stored at temperatures between -20°C and 40°C. Broda chairs should not be used until they are between 0°C and 30°C.

Broda chairs should be kept in a clean, dry environment. Do not leave Broda chairs outdoors as it may cause the paint to peel.

Upon receipt, the shipping carton must be immediately examined for damage. Any damage should be noted on the delivery receipt and a request for inspection by the transportation company should be made. Next, the shipping carton should be opened and the chair must be examined for concealed shipping damage. If the chair appears to be damaged, do not use the chair. File a concealed damage report with the transportation company.

2.4 Pre-Service Check

Broda chairs are delivered fully assembled. If the chair does not appear to be ready to use upon receipt, immediately contact your supplier and do not put the chair into service until any concerns have been resolved.

Visually inspect the chair for damage, missing parts, and loose fasteners prior to testing the chair's functions. Functional testing must be successfully completed after visual inspection and before use. These obligations apply to the chair's first use and to all subsequent uses (Section 4: Inspection and Functional Testing).

2.5 Hazards

2.5.1 Position of Chair - "Danger of Falling"

After a resident is transferred into a chair, assess the amount of tilt required. We recommend that the chair's seat be tilted sufficiently to prevent the resident from sliding or falling forward off the chair. The amount of seat tilt used should be determined by the resident's caregiver who is responsible for seating.

We recommend that the resident's feet be correctly positioned on the footrest and slightly to fully elevated to prevent the resident from sliding or falling forward off the chair. The amount of elevation used should be determined by the resident's caregiver who is responsible for seating.

2.5.2 Position of Seat Tilt - "Danger of Tipping"

We recommend that the chair's seat be tilted sufficiently to prevent an agitated resident from tipping the chair forward or backward, or from slumping and sliding in the chair. The amount of seat tilt used should be determined by the resident's caregiver who is responsible for seating. Always ensure that the resident is properly positioned before operating the seat tilt.

2.5.3 Location of Chair - "Danger of Tipping or Falling Objects"

We recommend that when a resident has been moved to their destination, the chair is placed where the resident cannot reach handrails or other objects, fixed or movable. This is to prevent the resident from pulling the chair over or pulling themselves off the seating surface and to prevent the resident from pulling movable objects onto the chair and themselves.

We recommend that the chair be used in a supervised area to prevent untrained residents, caregivers, or third parties from unauthorized operation, movement, or unsafe actions such as sitting or leaning on the reclined back, elevated footrest, or the armrests. These actions, if not prevented, put the chair at risk of tipping or damage to the chair.

We recommend that a chair only be located on a level surface to minimize the risk of tipping over.

2.5.4 Total Lock Wheel Brakes - "Danger of Falling"

The special casters found on the Broda chair have total lock brakes which prevent the wheels from turning and swiveling. The brakes must always be applied when:

- 1) the chair is not in use;
- 2) a resident is being transferred (moved) into or out of the chair; and,
- 3) the chair is not being moved by a caregiver.

It is important to note that if the wheel locks are applied while the patient is in the chair, that the caregiver does not leave the patient unattended, especially those patients who have the capability or tendency to move the chair and/or those who may be agitated. This could cause harm to the patient if they attempt to move the chair while the wheel locks are applied.

Note that operating the chair's functions may be easier for the caregiver with the brakes applied

Failure to follow these instructions will unnecessarily increase the risk of serious falls by residents, caregivers, or third parties caused by the chair unintentionally moving.

2.5.5 Re-Positioning of Resident - “Danger of Clamping”

Broda chairs offer the benefits of seat tilt, back recline, leg rest/footrest elevation, and moveable arms. During the movement of any of these functions, the following safety measures must be observed:

- 1) The resident’s arms must be positioned on the armrests or inside the chair frame with their hands on their body or on.
- 2) The resident’s feet must be correctly positioned on the footrest.
- 3) All of the chair’s brakes have been applied.
- 4) Only one caregiver at a time attempts to operate the chair’s functions.
- 5) Only one chair function is operated at a time.
- 6) The rear wheels are in the trailing position, behind the chair frame.
- 7) The residents’ and caregivers’ body are clear of all pinch points before operating the chair’s functions.

Failure to follow these safety measures can put the residents’ or caregivers’ limbs at risk of injury. Residents who may be unaware of their body position or unable to maintain a safe body position are at the most risk of the danger from clamping and caregivers should be more cautious with these residents. A second caregiver may be required to ensure the safety of these residents during these operations.

2.5.6 Unintended Movement - “Danger of Falling or Collision”

We recommend Broda chairs for indoor use within a long-term care institution and where there is not enough slope to cause the chairs to move unaided. Chairs used where the surface is uneven or sloped are at risk of unintended movement and could become a serious danger to the resident, caregiver(s), or a third party. We recommend that Broda chairs are located away from stairwells, elevators, and exterior doorways within a long-term care institution.

Outdoor use is appropriate only under the strict supervision and full attention of a caregiver who is physically capable of preventing any unintended movement over any surfaces that are to be traveled on. We recommend that a second caregiver assist when the chair is moved over surfaces that could cause significant unintended movement.

2.5.7 Resident Clothing - “Risk of Injury to Resident’s Skin”

We recommend that residents only be seated while they are fully dressed in clothing that meets the needs of their specific condition. If after being fully dressed, a resident’s bare arms, legs, or body could still come into direct contact with the vinyl straps or vinyl pads, we recommend the use of a covering, such the BRODA terry cloth covered seat and/or back pad or a folded cloth bed sheet to prevent direct contact. Direct contact of bare skin on the straps over a period of time could cause moisture on the resident, and/or cause the skin to stick to the straps. Prior to the operation or movement of a chair with a covering, the caregiver must ensure any covering placed on the chair does not come into contact with any moving parts and is securely placed, so not to slip.

2.5.8 Improper Restraint Use - “Risk of Serious Injury”

We recommend that alternatives to physical restraints be used with residents while seated in the chair except under the specific instructions of the resident’s primary caregiver and with permission of the resident’s family or guardian. Physical restraints have been identified as a common cause of serious injury to residents while they are seated. We recommend that the primary caregiver responsible for seating first consider the re-positioning options available in the chair to reduce the risks of sliding, falling, or self-injury.

If a physical restraint is determined to be appropriate to prevent sliding or falling out of the chair, we recommend that the Broda thigh belt be used. In all cases, it is the resident’s primary caregiver that must take responsibility for the safety of the resident if restraints are used.

2.6 Improper Use

As outlined, the improper use of the chair is dangerous to the resident, caregivers, or third parties, and can consist of, but is not limited to the following:

- 1) Unauthorized operation of the chair's functions.
- 2) Unauthorized movement of the chair.
- 3) Inappropriate use of the chair for a resident who has not been assessed by a qualified caregiver responsible for their seating.
- 4) Failure to frequently reposition the resident in the chair
- 5) Attempting to operate of multiple chair functions simultaneously by one or more caregivers.
- 6) Attempting to move the chair with the brake(s) applied.
- 7) Leaving the resident unattended in the chair near other objects.
- 8) Leaving an agitated resident in the chair in an unsupervised area.
- 9) Leaving a resident unattended.
- 10) Leaving a resident in a chair on a sloping surface.
- 11) Leaving a chair unattended on a sloping surface.
- 12) Using non-Broda accessories on the chair.
- 13) Using the chair at temperatures below 0°C.
- 14) Using the chair as a shower or bathing chair.
- 15) Using the chair for any use other than its intended purpose.

2.7 Cleaning

Broda chairs should be wiped clean with soap and water. Diluted household strength ammonia or chlorine based cleaner, as well as a hospital grade cleaner may be used if necessary.

Refer to the following guide for cleaning certain staining agents (Applies to the Permablok3® vinyl, as per the vinyl manufacturer's recommendations) The frame and components of the chair can be cleaned using the same procedure as the vinyl.

The steps below are also located in the Cleaning Guide found on the back of the Broda chair

Staining Agent	Cleaning Procedure
Eye Shadow / Mascara	Step 1
Grease / Suntan Lotion / Chocolate	Step 1
Blood / Bodily Fluids	Step 2
Red Lipstick	Step 2
Oil Base Paint / Tar / Asphalt	Step 3
Other Tough Stains	Step 4 or 5*

Step 1: Remove excess spill with a damp cloth. Clean with a 1:1 mix of Ivory® liquid and water. Rinse with clean water and dry.

Step 2: Use a straight application of concentrated cleaners such as Formula 409® or Fantastik® Spray Cleaner. Then wipe with a clean cloth. If using a hospital grade cleaner, follow the diluting instructions on the label.

Step 3: Use a 1:1 mix of ammonia and water or a 1:4 mix of bleach and water. Rinse with clean water and dry.

Step 4: Use a straight application of naphtha (lighter fluid). Rinse thoroughly with clean water and pat surface dry.

Step 5: Use a 1:1 mix of isopropyl alcohol and water. If the stain persists, use straight alcohol. Rinse thoroughly with clean water and pat dry. If the stain remains, use a 1:1 mix of acetone and water. Rinse with clean water and pat surface dry.

***Note:** for cleaning that requires steps 4 or 5 – Use a soft cotton cloth saturated with the cleaning material and rub the stain in circles 10 times. Pat dry with another soft cotton cloth, and check results.

For best cleaning results, certain parts and padding on the chair should be removed: Instructions for removal of the following parts are located in this manual: Ensure that the entire chair including removable and non-removable parts is thoroughly cleaned.

Pay close attention to the frame, sockets, fasteners, parts and casters, as well as the padding for an even, thorough clean.

Remove parts for cleaning if desired:

- 1) Wings
- 2) Swing Away/Removable Arms
- 4) Padding

Thoroughly clean all removable parts and padding, as well as the frame and components around the parts and padding that have been removed.

Broda chairs should not be cleaned with petroleum based cleaners. Any petroleum based products that come in contact with any vinyl surface should be removed as quickly as possible. Petroleum based products make vinyl brittle and will damage the seating surface and cushions. Metal parts and cushions should be wiped completely dry after cleaning. Do not launder vinyl padding. Terry cloth seat and back covers can be laundered and tumble dried.

Do not allow the chair to air dry. Leaving the chair to air dry and not ensuring the entire chair is completely dry may cause the frame and components to rust. Solvents such as those found in spray lubricants should not be used on Broda Chairs as they can damage moving parts.

Frequency and method of cleaning the chairs should be determined by facility infection control protocols. If visibly soiled, thoroughly clean the chair immediately as per the cleaning instructions in this manual.

The cleaning instructions in this manual are guidelines only. Results may vary under actual conditions. The information does not relieve the user of proper and safe use of the product and all cleaning agents and consideration for the overall cleaning maintenance of the chair. Cleaning and care instructions must be followed in conjunction with facility infection control protocols.

Broda will not accept warranty or liability claims on chairs that have not been cleaned according to the instructions or cared for in proper regard for patient, caregiver and third-party safety and hygiene. The use of certain agents may be harmful to the surface appearance and lifespan of the vinyl. Broda assumes no responsibility resulting from the use of such cleaning agents to the vinyl.

Touch up paint is available for the powder coated frame. Please call Broda's Customer Service Department if touch up paint is required. Do not leave Broda chairs outdoors as the frame is not UV protected. Leaving the chairs outdoors could cause the paint to peel.

Formula 409® is a trademark of the Clorox Company.

Fantastik™® is a trademark of DowBrands, Inc.

Trademark of the Dow Chemical Company.

Ivory® is a trademark of Proctor and Gamble.

2.8 Maintenance

The maintenance on a Broda chair will vary with the amount of use and the condition of the resident using the chair.

In regular use, after the initial inspection and functional testing, the chair should be inspected and tested. We recommend visually inspecting for signs of wear, damage, loose or missing fasteners, and other safety concerns. Testing of chair functions is also necessary. If a breakage, defect, or operational problem is detected, the chair must be successfully repaired, inspected and tested for function before it is returned to service. The chair should be inspected and tested as often as each use.

Do not use lubricants that contain solvents. Solvents may compromise any rubber components on the chair. If necessary, white food grade grease or lubricant can be used on any sliding components.

2.9 Resident Specific Instructions

Safety measures as described in Section 1 must be observed when operating the chair's functions or moving the chair. Only authorized caregivers should attempt to operate or move a chair. The caregiver must use proper body mechanics when operating the chair, and be prepared to support the weight of the resident while operating the chair.

3.1 Seat Tilt – Posterior and Anterior

A foot pump operated hydraulic cylinder allows the seat to be easily tilted to any position from most upright to the lowest within its range. The foot pump helps to reduce lifting force. Use seat tilt to safely position the resident, redistribute pressure and increase comfort.

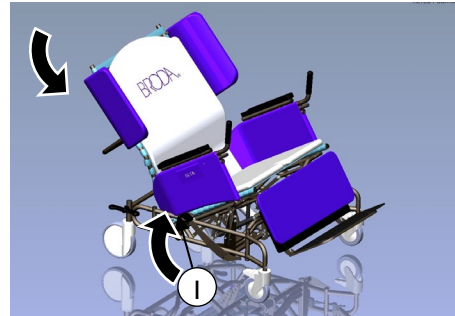
To Activate Posterior Seat Tilt

- Place foot under foot pump and lift upwards.
- Lower the seat tilt until the desired angle is achieved.

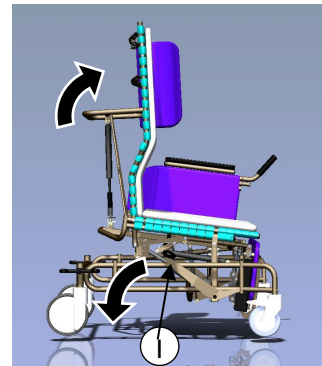
To Activate Anterior Seat Tilt

- Place foot on foot pump and pump downwards
- Pump repeatedly until the desired angle is achieved.

Posterior Tilt



Anterior Tilt



3.2 Back Recline

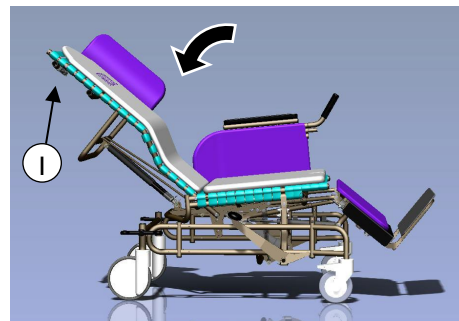
The Vanguard Tilt Recliner offers a semi recline feature. A gas cylinder allows the back to be reclined to any position from the most upright to the lowest within its range. Use back recline to position resident, create pressure redistribution, increase comfort, and assist with daily care activities.

WARNING: Always tilt slightly before reclining to prevent resident from sliding.

Do not remove spacers from the recline cylinder.

To Activate the Back Recline

- Place your left hand on the top bar to assist movement and squeeze the recline handle with your right hand.
- Raise or recline the back until the desired angle is achieved.



3.3 Elevating Leg Rest

Gas cylinders allow the leg rest to be positioned infinitely from horizontal to past vertical. The leg rest elevates and extends with recline.

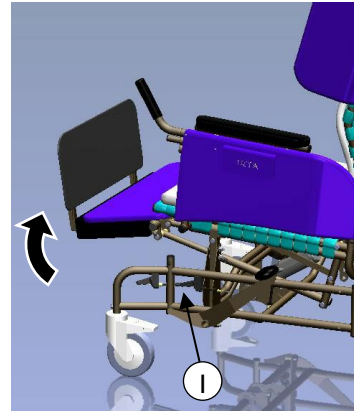
To Adjust the Leg Rest

-Hold leg rest to assist movement and squeeze the leg rest handle.

-Raise or lower the leg rest to the desired angle.

-The leg rest folds past vertical under the seat and the foot plate flips up to accommodate front transfers.

The leg rest articulates with changes to the back recline but not with changes to the seat tilt. If the back is in the reclined position, the leg rest cannot be lowered independently.



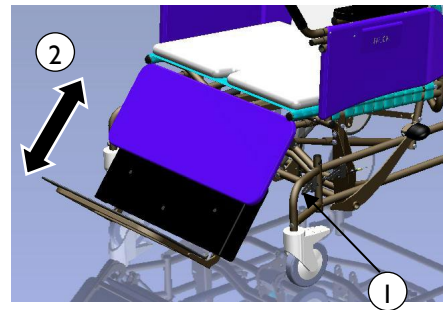
3.4 Length Adjustable Leg Rest

The Vanguard leg rest is length adjustable to accommodate various residents.

To Adjust the Leg Rest Length

-Squeeze the leg rest length adjustment handle.

-Extend or retract the leg rest to the desired length.



3.5 Removable Wings

Wings support the Shoulder Bolsters which provide upper body lateral support to the resident.

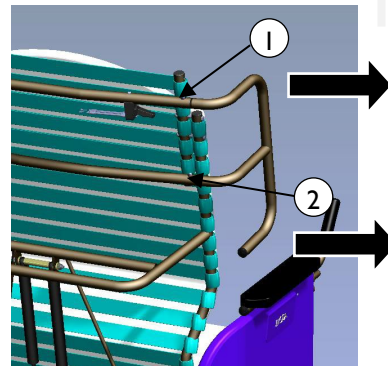
To Remove the Wing:

-Depress the top button (1) and pull the wing from the receptacle.

-Depress the bottom button (2) and remove from the receptacle.

To Insert the Wing:

- Insert the lower end of the wing into the lower receptacle. Then insert the upper end into the upper receptacle. Ensure the wing is secured in place.



3.6 Shoulder Bolsters

The Shoulder Bolsters provide upper torso support, protection and containment and accommodate asymmetries in the chair user. The Shoulder Bolster is always used in conjunction with the wing.

To Attach the Shoulder Bolsters:

- With the open end facing upwards, slide the Shoulder Bolster onto the bottom of the wing.
- Slide the Shoulder Bolster up onto the top of the wing and secure in place.



3.7 Swing Away/Removable Arms

The swing away removable arms allow for side access to facilitate safe and easy transfers. The Elite chairs offer a choice of two different arms styles: seat mounted or base mounted. (Seat mounted arms tilt with the seat; Base mounted arms remain at a fixed angle.)

To Remove the Seat Mounted Arms:

Push the button on the front of the seat, while pulling out the arm.

- Swing the side panel away or remove completely.

To Remove the Base Mounted Arms:

- Push down on the front of the armrest while pushing in the button on the side panel and allow the armrest to “pop up.”

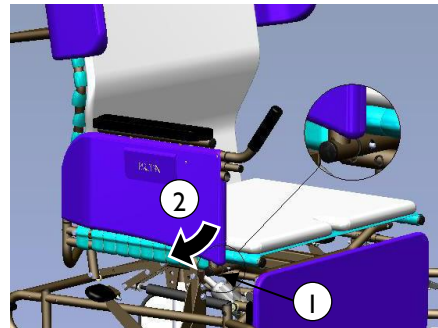
- Swing the side panel away or remove completely.

To Insert the Base or Seat Mounted Arms:

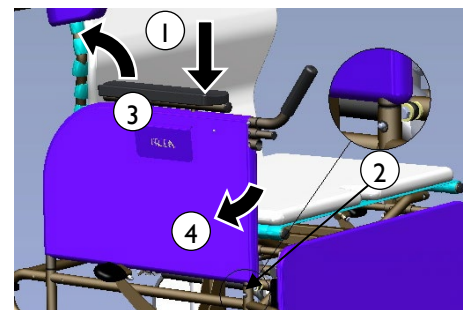
- Insert the back end of the side panel into the back receptacle.

- Swing the side panel and towards the front of the chair and insert front of arm into front receptacle until you hear a clicking sound.

Swing Away/Removable Arms -
Seat Mounted



Swing Away Removable Arms –
Base Mounted



3.8 Height Adjustable Armrests

The armrest height can easily be adjusted in order to accommodate various residents. The armrest height should be adjusted to provide correct arm support for the resident as determined by the caregiver.

To Adjust the Armrest Height:

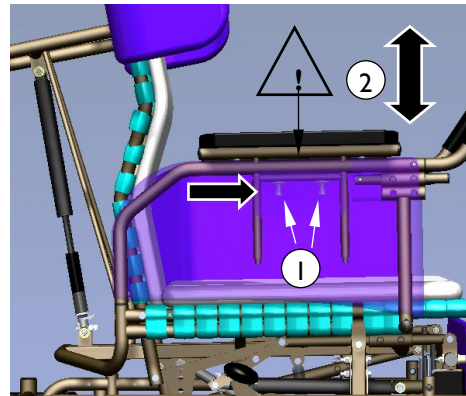
-Squeeze the pins together which are located under the armrest flap.

WARNING: DO NOT place fingers at the top of the pins as this could cause pinching. Place fingers in the concave shape of the pins.

-Raise or lower the arm to the desired height.

WARNING: DO NOT place fingers anywhere underneath the arm while adjusting, as this could cause pinching. Upon releasing the pins the armrest height will lock into place.

Secure the outside flap on the side panel. Change the height on the other arm as desired.



3.9 Adjustable Seat Depth

The seat depth is adjustable to 21" or 23". The adjustment is achieved by changing the location of the backrest in relation to the seat.

To Adjust the Seat Depth:

-Prior to removing and bolts, make note of the bolt, nut and spacer orientation and reinstall them with the same orientation. When making adjustments, ensure the bolts are reinserted in the same location on both sides of the chair.

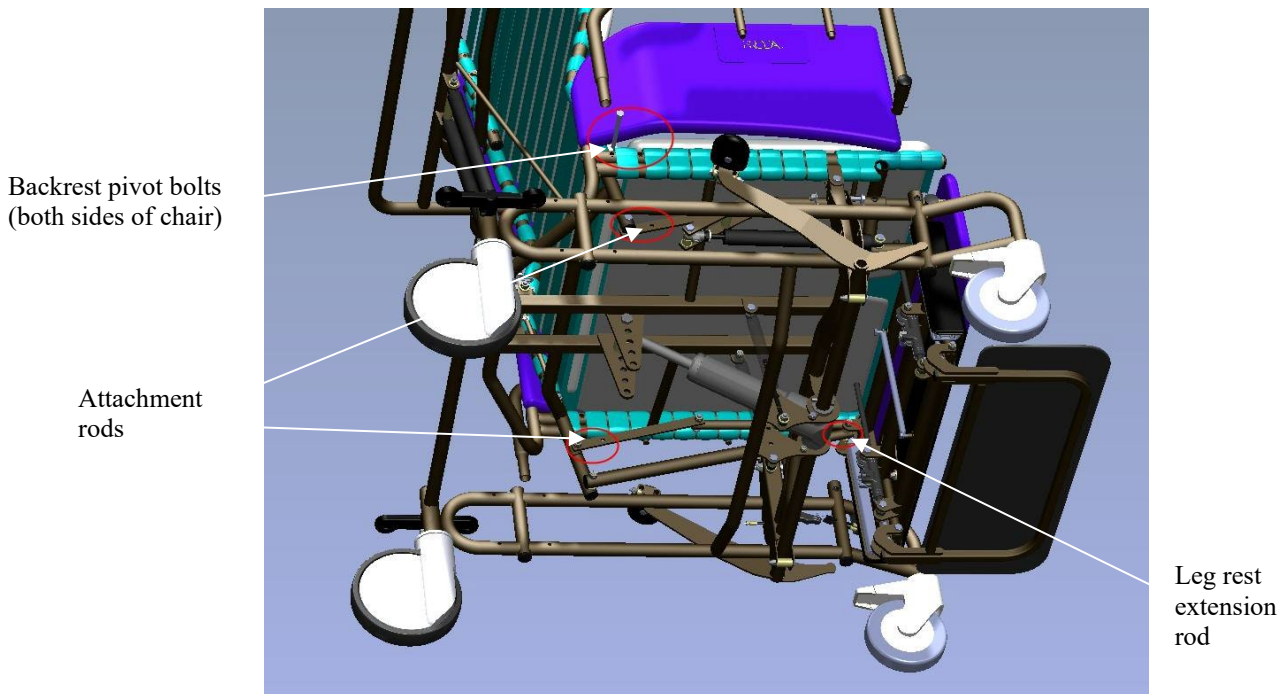
-Remove the attachment rod bolts on both sides of the chair and re-bolt through the additional hole in the attachment rod.

-Replace the leg rest extension rod with the shorter or longer version depending on the depth is being shortened or lengthened.

-Remove the backrest pivot bolts on both sides of the chair and reinsert bolts through the additional hole at the backrest pivot point, to correspond with the direction in which the attachment rods were changed.

-Ensure all bolts are tightened.

Seat Depth Adjustment:



3.10 Adjustable Seat Height

The seat height is adjustable to 20", 21", 22", 23", 24". The adjustment is achieved by changing the location of the seat height bolts.

To Adjust the Seat Height:

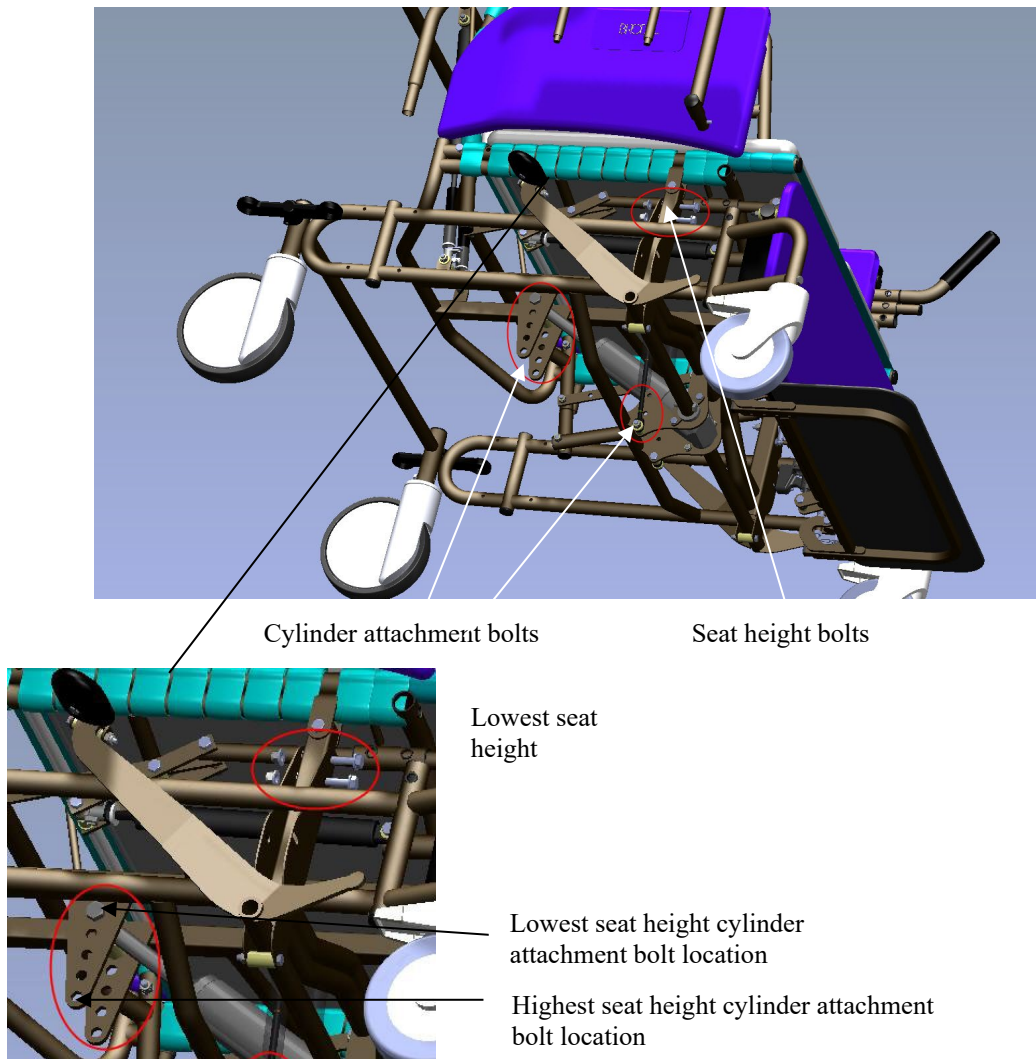
-Prior to removing and bolts, make note of the bolt, nut and spacer orientation and reinstall them with the same orientation. When making adjustments, ensure the bolts are reinserted in the same location on both sides of the chair.

-Change the seat height bolts on both sides of the chair to the desired seat height location.

-Change the cylinder attachment bolts to correspond with the height of the seat height attachment bolts.

-Ensure all bolts are tightened.

Seat Height Adjustment



3.11 Adjustable Back Length

The back length is adjustable to 32", 24", 26", 38" and 40".

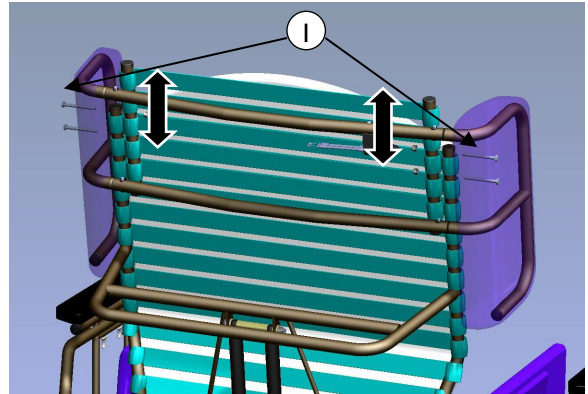
To Adjust the Back Length:

-Prior to removing and bolts, make note of the bolt, nut and spacer orientation and reinstall them with the same orientation.

-Remove the bolts on the back extension (located near the wings)

-Raise or lower the back extension to correspond with the holes in the backrest frame at the desired back length. The wings are part of the back extension to allow for proportionate changes to the back length and wing location.

-Insert the bolts through their respective holes and tighten.



3.12 Stand Assist Grips

The stand assist grips help facilitate safe sit to stand transfers. The grips can be rotated downwards to accommodate a dinner tray or be fully removed.

To Rotate/Adjust the Stand Assist Grips:

-Press in the detent pin.

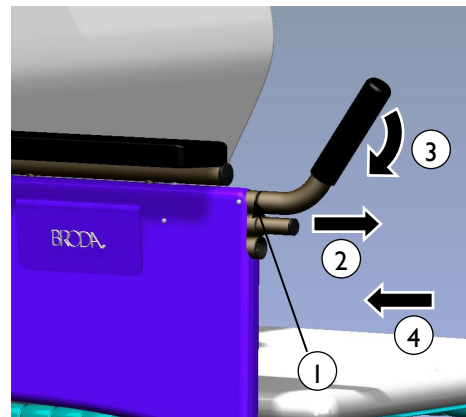
-While depressing the pin, pull out the grip.

-Rotate downwards and insert the tube into the lower receptacle.

To Remove the Stand Assist Grips

-Press the rear detent pin (behind the vinyl side pad)

-While depressing the pin, pull out the grip to release.



3.13 Casters

The Vanguard Tilt Recliner features 6" front total lock casters and 8" rear directional locking casters.

To Operate the Front Casters

Step on/off caster pedal to lock/unlock caster.

To Operate the Rear Casters

The rear caster function is controlled by one step on the butterfly pedal.

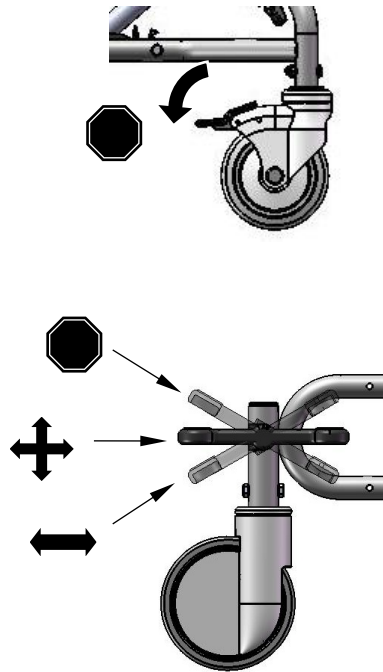
The tracking position eliminates any swivel function, which is ideal for pushing the chair down hallways.

The swivel position is ideal for maneuvering in tight spaces and moving the chair laterally.

The locked position prevents the movement of both rear casters.

Always ensure the brakes are unlocked when wheeling the chair.

Do not attempt to install mag wheels on the Vanguard Elite chairs.



3.14 Accessories (Options)

We recommend Broda accessories for use only on Broda chairs. The correct installation of the Broda accessory is very important. We recommend that the Broda chair is ordered with the required accessories already installed. Only authorized caregivers who thoroughly understand the accessory installation procedures should attempt to install their Broda accessories without assistance from their local Broda representative. Broda does not recommend use of other manufacturer's accessories on Broda chairs.

4 INSPECTION AND FUNCTIONAL TESTING

Safety measures as described in Section 1 must be observed when inspecting or testing a chair. Only authorized caregivers or maintenance staff should attempt to inspect or test a chair.

4.1 Inspection

We recommend regular visual inspection for signs of wear, damage, loose or missing fittings, and other safety concerns. If a breakage, defect, or operational problem is detected, the chair must be repaired inspected and tested for function before it is returned to service.

We recommend that the chair be inspected as often as each use if there is any reason to be concerned about the possibility of increased wear or loose or missing fittings. The visual inspection procedure should include at least the observation of all the fittings (fasteners):

The visual inspection procedure should include at least the observation of the following parts:

- 1) The cylinders that position the seat tilt, back recline, and independent leg rest elevation.
- 2) The vinyl straps used in the seat, back, leg rest, footrest and wings
- 3) The cushions
- 4) The black handles and cables.
- 5) The armrest height adjustment pins
- 6) The foot pump
- 7) The stand assist grips

The visual inspection procedure should include the observation of any installed accessories. The visual inspection should be performed by the facility, or if in a private residence, by the individual responsible for the chair.

4.2 Functional Testing

We recommend that the chair should be tested for operation of the chair's functions without a resident in the chair. The testing may be as often as each use if there is any reason to be concerned about the possibility of increased wear or damage to the chair's components. At a minimum, in regular use the chair should be tested for functions as described in Section 3.

If the caregiver or maintenance department performing the functional testing believes that any function is not operating correctly, the chair should be taken out of service until a satisfactory functional test can be completed.

The caregiver or maintenance department performing the testing should be aware that the back recline, and footrest (leg rest) elevation operations will be more difficult without a resident in the chair.

When performing repairs or maintenance, do not use lubricants that contain solvents. Solvents will damage many of the moving components in the chair. If necessary, a white, food grade grease (lubricant) may be used on the sliding components in the chair. Do not use spray lubricants on any part of the chair.

5 TECHNICAL INFORMATION

5.1 Specifications

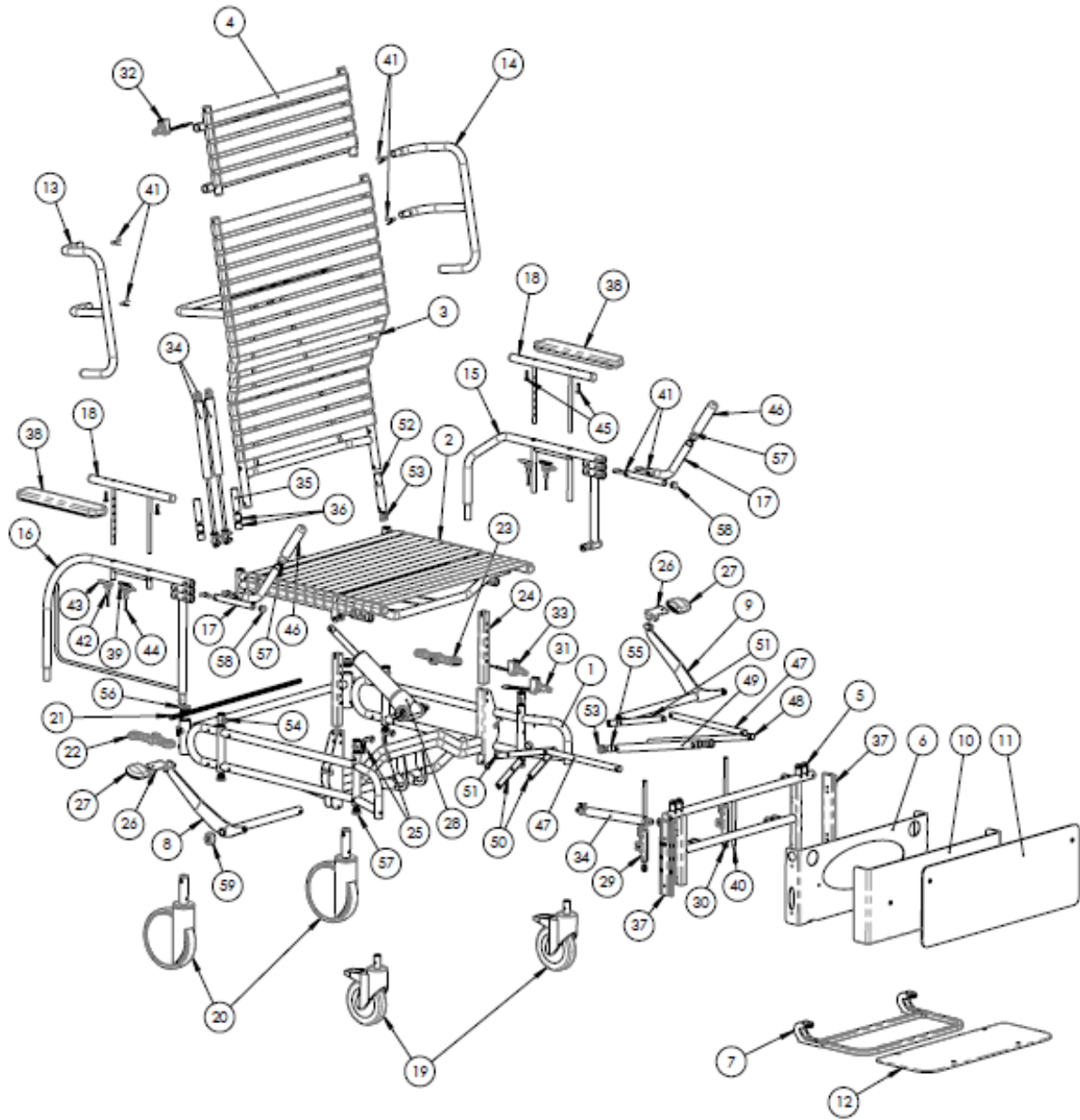
Specifications Based on 30" seat width Vanguard Tilt Recliner Model.

1. Back Recline: Up to 45 degrees infinitely adjustable back recline
2. Seat Tilt: Up to 30 degrees infinitely adjustable posterior tilt, operated by manual foot pump
Up to 10 degrees infinitely adjustable anterior tilt, operated by manual foot pump
3. Foot Pump: Located on both sides of chair to operate posterior and anterior tilt
4. Frame: 16 gauge powder coated tubular steel
5. Seat/Back Surface: Broda Comfort Tension Seating™ Strapping is 1.5" wide, by .130" thick; contains fungicide, has shape memory retention, is fire retardant.
Strapping is double weaved on the seat and back for additional support.
6. Arms: Choice of seat or base mounted arms
Swing away and removable
Adjustable armrest height
7. Leg Rest: Leg rest articulates and extends with back recline
Leg rest adjusts independently of back recline
Leg rest adjusts to any angle between horizontal and vertical
Leg rest is length adjustable
8. Footrest: Flip up footrest for ease of transfers
9. Wings: Removable wings
10. Padding: Removable padding (shoulder bolsters, neck rest, upper & lower side pads, seat and back pad with removable terry cover, calf pad, extra terry covers)
The 34 ounce healthcare vinyl fabric covering is manufactured to meet the following requirements: DIN 75 200/DIN 53 438; MVSS 302, M2; CAL 117, and Wyzenbeck Heavy Duty Abrasion Test; has an antimicrobial, antibacterial, anti-stain and anti-static finish; Cold crack of -20°C. Polyurethane foam meets CAL 117-2013.

Removable seat and back pads are covered with an 8 ounce soft vinyl which meets CAN2-162 flammability standard for hospital textiles. Polyurethane foam meets CAL 117-2013. Removable, washable, pre-shrunk fitted cotton terry covers are provided for the seat and back pads. Terry covers provide absorption, and vapor and heat transfer.
11. Casters: 6" total lock front casters, 8" multi directional locking rear casters
Non-marking grey rubber tires.
12. Stand Assist Grips: Rotational downward and removable.
13. Seat Depth: 21" or 23" adjustable
14. Seat Height: 20", 21", 22", 23", 24" adjustable
15. Seat Width: 26", 28" or 30" width models available
16. Back Length: 32", 24", 36", 38", 40" adjustable
17. Overall Width: 39" width (30" seat width)
18. Weight Capacity: 600 lbs. (272 kg)
19. Overall Weight: Approx. 160 lbs. (30" seat width)

All dimensions are ± 0.5".

5.2 Broda Seating Vanguard Tilt Recliner Parts Schematic Drawing and Legend
 (Shown with Curved Back Option)



Vanguard Tilt Recliner Schematic

Number	Item	Description	Qty
1	BASE-985	Base Frame 985 (width) (color)	1
2	SEAT-985	Seat Frame 985 (width) (color)	1
3	BACK-(S/C)-985	Back Frame 985 (straight or curved) (width) (color)	1
4	BACK-EXT-985	Back Extension Frame 985 VG (width) (color)	1
5	LGRT-U-985	Legrest Frame Upper 985 VG (width) (color)	1
6	LGRT-DRAWER	Legrest Frame Drawer Slider (width)	1
7	F-SINGLE-985	Footrest Frame Single 985 (width)	1
8 & 9	PUMP-LEVER-985	Pump Lever Frame 985 VG (width) (left/right)	2
10	HEEL-PLATE-985	Heel Plate ABS 985 VG (width)	1
11	CALF-PLATE-985	Calf Plate ABS 985 VG (width)	1
12	F-PLATE-985	Foot Plate ABS 985 VG (width)	1
13 & 14	WING-985	Wing Frame Removable 985 VG (left/right) (color)	2
15	ARM-BTM-SM-985	Arm Frame Seat Mount 985 VG (left/right) (color)	2
16	ARM-BTM-BM-985	Arm Frame Base Mount 985 VG (color)	2
17	HNDL-985	Frame Stand Assist Handle 985 VG	2
18	ARM-TOP	Arm Frame Height Adjustable V2/V3 (color)	2
19	CASTER-6"TL	Caster 6 Total Lock	2
20	CASTER-8"DL-985VG	Caster 8 Single Directional Locking	2
21	CTRL-ROD	Frame Wheel Control Rod (width)	1
22 & 23	MDLCPEDAL2	Multi Directional Locking Caster Pedal (left/right)	2
24	POST-HGT	Base Frame Seat Height Posts	2
25	PUMP-RTNR	Base Frame Pump Retainer	2
26	F-PUMP-PDL-985	Foot Pump Pedal	2
27	CYL-PUMP-PD	Cylinder Pump Pedal Pad	2
28	CYL-HYD-985V2	Cylinder Hydraulic Tilt 985 VG	1
29 & 30	LGRT-SLIDE-(LH/RH)985	Meclok Cyl 985 VG Legrest Length Adj (left/right)	2
31	CABLE-HAND-DBL-32RV-985	Double Cable & Handle w/32" Reversed Cable Length	1
32	CABLE-HAND-DBL	Double Cable and Handle Assembly (48" cable length)	1
33	CABLE-HAND	Cable and Handle Assembly (48" cable length)	1
34	CYL-LOCK-KIT	Cylinder Gas Spring 300N and Actuator w/lever	3
35	CYL-LIMIT	Cylinder Limiter Spacer	2
36	REPLACEMENT HARDWARE	Spacers BLK NYL 22mm OD x 10.4mm ID x 20mm LONG	4
37	REPLACEMENT HARDWARE	Drawer Slide 985 VG Legrest	2
38	AR	Armrest Soft	2
39, 42, 43 & 44	PUSH-PIN	Push Pin Assembly (kit)	2
41	DETENT-PIN	Spring for Arm Bottom & Wings	4
45	REPLACEMENT HARDWARE	Screw, ¼"-20 X 1-1/8"L Truss Robertson Socket	4
46	HNDL-GRIP-985	Stand Assist Grip 985 (Rubber)	2
47	LGRT-ATT-ROD-985	Legrest Frame Attachment Rod (21" or 23")	2
48	LGRT-ELV-ROD-985	Legrest Frame Elevation Rod (21" or 23")	1
49	LGRT-ELV-TU-EL/985	Legrest Frame Elevation Tube 985 VG	1
50	LGRT-J-LEVER	Legrest Frame J-Lever	2
51	LGRT-EX-BAR-985	Legrest Frame Extension Bar 985 VG	2
52	BACK-EXT-L-985	Back Extension Frame Lower 985 VG (width)	1
53	REPLACEMENT HARDWARE	Plug With 5/16 Pass Hole	8
54	BUSH-ARM-SLV	Bushing Arm Sleeve	15
55	DIE-SPRING	Die Spring	1
56	REPLACEMENT HARDWARE	Plug RND 1" 16-18Ga Inside Ribbed	2
57	REPLACEMENT HARDWARE	Plug Rnd 1" 14-23Ga Inside Ribbed	13
58	REPLACEMENT HARDWARE	Plug Rnd ¾" x 16-18Ga Single Glide	2

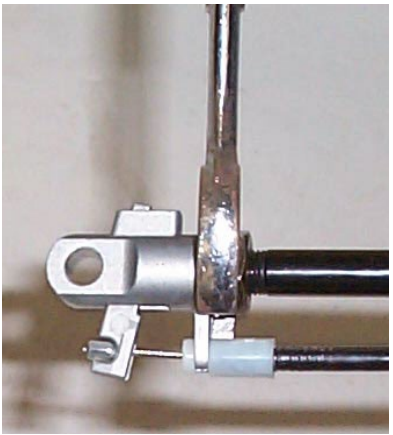
6 COMMON TROUBLESHOOTING AND REPAIR

Please have the chair serial number ready when contacting Broda or your local area representative for parts or assistance for your chair. The serial number can be found on a grey sticker on the rear of the chair.

6.1 Troubleshooting for Gas Cylinders (Recline and Legrest Elevation)

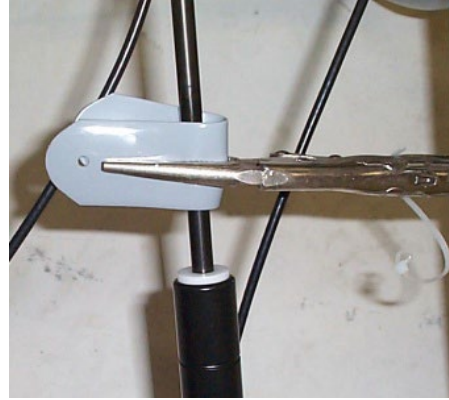
The use of gas charged springs (cylinders) on Broda products allows the caregiver to easily make adjustments to the tilt, recline, and leg rest with a minimal effort. The gas cylinders contain Nitrogen gas, it is not flammable nor is it toxic. The cylinders provide a lifting force which counterbalances the weight of the occupant thereby reducing the amount of weight the caregiver needs to lift.

Symptom	Problem	Solution
The chair is not reclining or tilting or leg rest is not moving when the handle is squeezed	The pin in the end of the cylinder is not being depressed when the handle is pulled.	Ensure the cable is attached to the cylinder actuator. If cable is attached, see Adjustment Step see below.
The chair (tilt, recline or leg rest) seems to slowly slide out of position	The pin in the end of the cylinder may be still partially depressed.	See Adjustment Steps below:

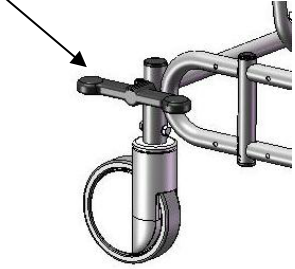
Adjustment Steps:	
<p>-Loosen the lock nut located on the stem of the gas cylinder next to the actuator (17mm or 11/16" wrench)</p> <p>-From the above instruction determine whether you want to wind the stem further into the actuator or further out of the actuator. Wind the stem further into the actuator if the chair is not tilting or reclining, (wind clockwise) and wind it further out of the actuator if the chair is slowly sliding out of position. (wind counter-clockwise)</p> <p>-Wind the stem in the correct direction one half turn.</p> <p>-Check the function of the cylinder and repeat the above step until the cylinder functions properly.</p> <p>-Tighten the lock nut loosened in the first step.</p> <p>-If adjusting the cylinder does not correct the problem, the cylinder may need to be replaced. Please contact Broda at or your local area representative.</p>	 <p>Note: Cylinder does not need to be removed from the chair to make this adjustment.</p>

Note: When adjusting cylinders with tools that come in contact with the cylinder rods, a cloth or some other protective material must be used to protect the sliding surface of the rod. If the rod becomes scratched or marred it will damage the seal on the cylinder and the cylinder will fail.

Damaging a cylinder in this fashion voids the manufacturer's warranty.



6.2 Rear Casters

Symptom	Problem	Solution
<p>The rear caster function is controlled by one step on the butterfly pedal.</p> <p>The rear caster is not engaging into the correct position when using the butterfly pedal.</p>	<p>The rear caster is no longer functional.</p>	<p>The rear caster must be replaced. Contact Broda or your local representative.</p> <p>Butterfly Pedal</p> 

7 WARRANTY

MANUFACTURER WARRANTY

Effective 10/15/2018

From date of purchase Broda warrants the side frames and cross members located on the base frame, for the Expected Lifetime* of the original purchaser/user, when purchased from an Authorized Broda Dealer. *Expected Lifetime of the frame is 10 years.

In addition, Broda warrants its other product components, except the seat cushion and covers (which are not warranted), to be free from defects in materials and workmanship for a period of 2 years from the date of purchase, as indicated on the original purchase order. This warranty is non-transferable.

The warranty is subject to the following conditions:

A serial number or invoice number is required for warranty coverage. The warranty shall not apply to serial numbered items if the serial number has been removed or altered in any way.

Warranty is valid for "new" purchases only. All other items will be warranted at the sole discretion of Broda.

If within such warranty period any such product shall be proven to be defective through examination, inspection and testing as deemed necessary, such product shall be repaired or replaced at Broda's discretion. This warranty does not include on-site labor.

On request, defective parts must be returned to the factory, pre-paid and insured, within 30 days. Failure to do so, will result in the owner incurring the cost of the replacement parts. Photos of defective parts may be requested as an alternate to returning product.

Limitations and Exclusions:

This warranty does not cover damages that arise from improper handling, cleaning, maintenance, storage or negligent use. The warranty does not cover Broda's wheelchairs and chairs used in any way, other than the manner in which it was designed and recommended.

Modifications, incorrect assembly or installation to Broda products or the use of non-Broda products voids the warranty. Installation of parts that require the frame to be altered in any way, must be completed by a Broda Representative, unauthorized performances will void the warranty.

This warranty does not cover freight damage (see Damaged Freight Policy).

Broda retains the right to make product design and product application changes without notice.

The application of Broda products shall remain the responsibility of the purchaser or user. Please reference the model specific operating instruction manuals for safety requirements, inspectional and functional testing, technical information and more.

Warranty does not include on-site labor for the installation of warranty parts or warranty repairs. The owner may return to Broda products for warranty replacement or repair by shipping items prepaid and insured to the factory. Warranty completed at the factory includes both materials and labor. The decision to repair or replace parts is at the discretion of Broda. All returns to the factory require prior authorization from Broda.

WC-19 Transportation Certified Products:

Vehicle Transport Products and Options are available by factory install only. It can NOT be retrofit to existing models or serviced in the field. All components of the vehicle transport packages are subject to specific maintenance requirements, to maintain the Broda warranty.

Due to the testing requirements of the vehicle transport chair, Broda warranty limitations apply to non-factory installed repairs. Warranty and maintenance repairs must be made by Broda authorized service technicians. Any replacements or repairs made by unauthorized person (s) will void this warranty and Broda assumes no liability on the performance of said components.

DO NOT modify the transport chair. Modifications may change the transport chair's structure and center of balance, which may increase the risk of serious injury to the user and void the warranty. If a problem is detected with any of the Vehicle Transport Product and Option components or any components of the chair, remove the wheelchair or chair from service and contact Broda immediately. Chairs involved in vehicle accidents should be taken out of use immediately.

For any further questions regarding our Manufacturer Warranty please contact Broda Customer Service at 1-844-552-7632 or customerservice@Brodaseating.com

BRODA®

Mode d'emploi

Fauteuil bariatrique inclinable à allongement Modèle 985



Distributeur/Rep.: Ce mode d'emploi doit être remis à l'intervenant responsable de ce fauteuil et à son usager.

Intervenant : Avant d'utiliser ce fauteuil, lire ce mode d'emploi minutieusement et le conserver pour référence ultérieure.

Table des matières

AVANT-PROPOS.....	1
INFORMATION GÉNÉRALE	2
1 DÉFINITIONS	3
2 EXIGENCES DE SÉCURITÉ.....	4
2.1 Formation.....	4
2.2 Application.....	4
2.3 Expédition et entreposage	5
2.4 Vérification avant la mise en service	5
2.5 Risques.....	5
2.5.1 Position du fauteuil - « Risque de tomber ».....	5
2.5.2 Position d'inclinaison du siège - « Risque de tomber ».....	5
2.5.3 Emplacement du fauteuil - « Risque de basculer ou de faire tomber des objets ».....	6
2.5.4 Freins de roue autobloquante à toutes positions - « Risque de tomber »	6
2.5.5 Repositionnement du résident - « Risque de se coincer ».....	6
2.5.6 Mouvement involontaire - « Risque de tomber ou d'entrer en collision ».....	7
2.5.7 Vêtements du résident - « Risque de blesser sa peau ».....	7
2.5.8 Utilisation inappropriée d'une contention - « Risque de se blesser grièvement »	7
2.6 Utilisation inappropriée.....	7
2.7 Nettoyage	8
2.8 Entretien.....	10
2.9 Directives spécifiques concernant le résident.....	11
3 ACTIONNEMENT ET DÉPLACEMENT.....	12
3.1 Inclinaison du siège – postérieure et antérieure	12
3.2 Allongement du dossier.....	12
3.3 Élévation du repose-jambes	13
3.4 Ajustement de la longueur du repose-jambes.....	13
3.5 Oreilles amovibles.....	13
3.6 Coussins pour épaules.....	14
3.7 Accoudoirs pivotants/amovibles	14
3.8 Accoudoirs à hauteur ajustable	15
3.9 Siège à profondeur ajustable	16
3.10 Siège à hauteur ajustable.....	17
3.11 Dossier à longueur ajustable	18
3.12 Poignées d'appui.....	18
3.13 Roulettes	19
3.14 Accessoires (en option).....	19
4 INSPECTION ET ESSAI DE FONCTIONNALITÉ	20
4.1 Inspection.....	20
4.2 Essai de fonctionnalité	20
5 INFORMATION TECHNIQUE.....	21
5.1 Spécifications	21
5.2 Vue explosive des pièces du fauteuil Vanguard Elite 985 de BRODA.....	22
6 DÉPANNAGE COURANT ET RÉPARATION.....	24
6.1 Dépannage pour cylindres au gaz (allongement et élévation du repose-jambes).....	24
6.2 Roulettes arrière	25
7 GARANTIE.....	26

AVANT-PROPOS

Félicitations pour votre achat d'un fauteuil BRODA, et merci de votre confiance envers notre compagnie et nos produits.

BRODA se positionne à la tête de son industrie en fournissant des solutions optimales de repositionnement et de mobilité aux résidents des établissements de soins de longue durée. Les fauteuils BRODA ne ressemblent en rien aux fauteuils traditionnels et offrent des avantages uniques à BRODA. Nous sommes persuadés qu'après avoir fait usage de votre fauteuil BRODA, vous serez convaincus que la qualité de vie de vos résidents sera considérablement améliorée.

Ce manuel vous aidera à tirer le meilleur parti des capacités du fauteuil BRODA et vous assurera de vous familiariser rapidement avec son fonctionnement.

Après avoir lu ce manuel, si vous avez quelque question que ce soit relativement au fonctionnement sécuritaire et efficace de votre fauteuil BRODA ou de ses accessoires, vous êtes priés de communiquer avec le représentant BRODA de votre région ou le personnel du service à la clientèle de notre siège social.

Siège social :
Broda
15455 Conway Road Suite 200
Chesterfield, Missouri USA 63017
Sans frais Can./É.-U.: 1-844-552-7632
Télécopieur : 844-442-7632
Courriel : sales@brodaseating.com
Site Internet : www.brodaseating.com

INFORMATION GÉNÉRALE

Ce document fournit des conseils sur le fonctionnement sécuritaire et adéquat d'un fauteuil BRODA.

L'information de ce mode d'emploi doit être observée en tout temps.

Quiconque participe au fonctionnement et à l'entretien du fauteuil BRODA, y compris les membres de la famille du résident, doit lire ce mode d'emploi avant de faire usage du fauteuil.

L'intervenant responsable du résident doit s'assurer que toute personne qui n'est pas familière, qui ne veut ou ne peut pas se conformer à ses directives de sécurité et de fonctionnement, ne soit autorisée à actionner ou déplacer le fauteuil.

Une copie du présent mode d'emploi doit toujours être disponible.

BRODA n'accepte aucune responsabilité que ce soit pour des dommages, blessures ou accidents occasionnés par des erreurs d'utilisation, un manque d'entretien approprié ou la négligence d'observer les directives de ce manuel, incluant des instructions spécifiques au résident.

BRODA se réserve le droit d'apporter des modifications relativement aux dimensions, aux fonctions et aux composantes de ses produits sans préavis. Les produits représentés dans ce manuel peuvent différer des produits livrés.

Chaque fauteuil BRODA comprend son propre numéro de série d'identification, qui doit être conservé sur le fauteuil ainsi que dans le registre des équipements.

1 DÉFINITIONS

« BRODA » signifie *Broda Enterprises Inc.* faisant des affaires sous la dénomination *Broda Seating*.

La mention « fauteuil BRODA » fait référence au fauteuil Vanguard Elite, modèle 985.

« Établissement de soins de longue durée » fait référence à un centre de soins infirmiers, un hôpital ou tout autre centre de soins de santé qui dispense des soins personnels et de santé à ses résidents sur une base de longue durée.

« Résident » fait référence à tout individu demeurant dans un établissement de soins de longue durée et qui est sous les soins d'intervenants professionnels.

« Intervenant professionnel » fait référence aux médecins, infirmiers(ères), thérapeutes, aides-infirmiers(ères), aides-soignants et autres spécialistes qui travaillent dans un établissement de soins de longue durée et qui dispensent des soins personnels et de santé à ses résidents.

« Intervenant » fait référence à toute personne dans un établissement de soins de longue durée qui est adéquatement formée pour fournir des soins ou des services au résident ou s'occuper du fauteuil utilisé par le résident. Cet intervenant peut être un membre de la famille du résident ou son tuteur.

« Inclinaison du siège » fait référence au changement de l'angle relatif du bloc siège/dossier du fauteuil par rapport à l'armature ou au sol, sans changer l'angle relatif entre le dossier et le siège.

« Allongement du dossier » fait référence au changement de l'angle entre le dossier du fauteuil et le siège du fauteuil.

« Élévation du repose-pieds » et « Élévation du repose-jambes » fait référence au changement de l'angle entre le repose-pieds et/ou le repose-jambes du fauteuil et le siège du fauteuil.

« Transfert » fait référence au déplacement d'un résident dans son fauteuil ou hors de celui-ci avec l'aide de son ou ses intervenant(s).

« Transfert mécanique » fait référence au déplacement d'un résident dans son fauteuil ou hors de celui-ci avec l'aide de son ou ses intervenant(s) à l'aide d'un lève-personne ou d'un autre dispositif d'assistance qui soutient le poids du résident.

2 EXIGENCES DE SÉCURITÉ

2.1 Formation

Avant que le fauteuil soit mis en service, ce manuel doit être lu minutieusement par le ou les intervenant(s) directement responsable(s) des soins dispensés au résident.

Lorsque le fauteuil est mis en service, ce manuel doit être lu minutieusement par tous les nouveaux intervenants avant d'actionner ou déplacer le fauteuil.

En ce qui concerne ce manuel, un membre de la famille d'un résident, qui partage la responsabilité de ses soins, est considéré au même titre qu'un intervenant et doit ainsi avoir la même compétence avant d'être autorisé par l'intervenant responsable du résident à actionner ou déplacer le fauteuil.

Avant la première utilisation, le client doit planifier une séance de formation interne sur les rudiments de fonctionnement et sécurité décrits dans ce manuel, dispensée aux intervenants qui interagissent avec le résident par le représentant régional BRODA qui a fourni le fauteuil.

L'intervenant responsable doit maintenir une liste à jour des intervenants qui ont lu ce manuel et qui sont autorisés à actionner et déplacer le fauteuil.

L'intervenant responsable du résident doit s'assurer que toute personne qui n'est pas familière, qui ne veut ou ne peut pas se conformer à ses directives de sécurité et de fonctionnement, ne soit autorisée à actionner ou déplacer le fauteuil.

Le fauteuil doit être actionné par l'intervenant responsable du positionnement assis du résident. Tout positionnement ou ajustement doit être effectué de sorte à assurer la sécurité, le confort et le bien-être du résident, de l'intervenant et des tierces personnes. Tout positionnement ou ajustement requis pour le résident doit être déterminé par l'intervenant responsable du positionnement assis.

2.2 Application

La convenance d'un fauteuil BRODA doit être déterminée par un intervenant qualifié qui est au courant des besoins en positionnement assis du résident en cause. Toute autre utilisation du fauteuil exclut une éventuelle possibilité de réclamation pour responsabilité.

Les fauteuils Vanguard Elite ne doivent pas être utilisés dans la douche. L'armature et les composants rouilleront, et cela annulera la garantie.

Les fauteuils ne sont pas résistants aux explosions et ne doivent pas être utilisés en présence de gaz ou liquides inflammables (par exemple : produits anesthésiants, solvants et nettoyeurs volatiles, etc.).

Les fauteuils BRODA sont conçus pour être utilisés avec les pièces et accessoires spécifiques BRODA. L'utilisation de pièces ou d'accessoires autres que BRODA sur un fauteuil BRODA annulera la garantie et exclura une éventuelle possibilité de réclamation pour responsabilité.

Les fauteuils BRODA doivent être utilisés tels que décrits dans ce manuel et selon les pratiques reconnues en soins de santé, sécurité des lieux de travail et prévention des accidents.

2.3 Expédition et entreposage

Les fauteuils BRODA devraient être expédiés et entreposés en position verticale, et ne pas être empilés plus de trois unités de haut. Aucun autre matériel ne devrait être expédié ou entreposé par-dessus une boîte BRODA.

Les fauteuils BRODA devraient être expédiés et entreposés à des températures se situant entre -20 et 40 °C. Les fauteuils BRODA ne devraient pas être utilisés avant d'avoir atteint des températures se situant entre 0 et 30 °C.

Les fauteuils BRODA devraient être maintenus dans un environnement propre et sec. Ne laissez pas les fauteuils BRODA dehors, car cela pourrait faire écailler la peinture.

Sur réception, la boîte d'expédition doit immédiatement être examinée pour déceler un éventuel dommage. Tout dommage devrait être noté sur le bon de livraison, et une demande d'inspection par la compagnie de transport devrait être faite. Ensuite, la boîte d'expédition devrait être ouverte et le fauteuil examiné pour déceler un dommage non apparent occasionné par l'expédition. Si le fauteuil semble être endommagé, ne pas l'utiliser. Rédigez un rapport de dommage non apparent à l'attention de la compagnie de transport.

2.4 Vérification avant la mise en service

Les fauteuils BRODA sont livrés entièrement assemblés. Si le fauteuil ne semble pas être en état de fonctionnement au moment de sa réception, communiquez immédiatement avec votre fournisseur, et ne mettez le fauteuil en service que lorsque vos préoccupations auront été résolues.

Inspectez visuellement le fauteuil pour déceler un dommage, des pièces manquantes et des fixations desserrées avant de tester les fonctions du fauteuil. L'essai de fonctionnalité du fauteuil doit être complété avec succès après l'inspection visuelle et avant la première utilisation. Ces obligations s'appliquent à la première utilisation du fauteuil et à toutes les utilisations subséquentes (Section 4: Inspection et essai de fonctionnalité).

2.5 Risques

2.5.1 Position du fauteuil - « Risque de tomber »

Après le transfert du résident dans le fauteuil, évaluer le degré d'inclinaison nécessaire. nous recommandons que le siège de la présidence est incliné suffisamment pour aider à prévenir le résident de glisser ou de tomber de sa chaise. Le degré d'inclinaison du siège devrait être déterminé par l'intervenant responsable du positionnement assis du résident.

Nous recommandons que les pieds du résident soient correctement placés sur les repose-pieds, de légèrement à complètement élevé, pour l'empêcher de glisser ou de tomber par en avant. Le degré d'élévation devrait être déterminé par l'intervenant responsable du positionnement assis du résident.

2.5.2 Position d'inclinaison du siège - « Risque de tomber »

Nous recommandons que le siège du fauteuil soit incliné suffisamment pour empêcher un résident agité de faire basculer le fauteuil par en avant ou par en arrière, ou de se pencher et glisser dans le fauteuil. Le degré d'inclinaison du siège devrait être déterminé par l'intervenant responsable du positionnement assis du résident. Assurez-vous toujours que le résident est correctement positionné avant d'incliner le siège.

2.5.3 Emplacement du fauteuil - « Risque de basculer ou de faire tomber des objets »

Nous recommandons qu'une fois arrivé à destination, le fauteuil soit placé à un endroit où le résident ne pourra agripper une main courante ou un autre objet, fixe ou mobile. Cette procédure vise à empêcher le résident de tirer le fauteuil ou de se hisser hors du siège, et à éviter qu'il dépose des objets sur le fauteuil et sur lui-même.

Nous recommandons que le fauteuil soit utilisé dans un endroit supervisé pour empêcher que des résidents non formés, des intervenants ou des tierces personnes effectuent une manœuvre non autorisée, un mouvement ou une action dangereuse telle que s'asseoir ou s'appuyer sur le dossier incliné, le repose-pieds élevé ou les accoudoirs. Donner libre cours à de telles actions expose le fauteuil au risque de basculer et à celui de l'endommager.

Nous recommandons que le fauteuil ne soit localisé que sur une surface à niveau afin de réduire le risque de basculer au minimum.

2.5.4 Freins de roue autobloquante à toutes positions - « Risque de tomber »

Les roulettes spéciales qui se trouvent sur les fauteuils BRODA sont équipées de freins qui bloquent à toutes les positions pour empêcher les roues de tourner et de pivoter. Les freins doivent toujours être appliqués quand :

- 1) le fauteuil n'est pas utilisé;
- 2) le résident est transféré (déplacé) dans le fauteuil ou hors de celui-ci;
- 3) le fauteuil ne se fait pas déplacer par un intervenant.

Il est important de noter que si les freins de roue sont appliqués lorsque le résident est dans le fauteuil, l'intervenant ne devrait pas laisser le résident sans surveillance, particulièrement s'il s'agit d'une personne qui a la capacité ou la tendance de déplacer le fauteuil et/ou qu'elle peut être agitée. Le résident pourrait se blesser s'il tente de déplacer le fauteuil alors que les freins de roue sont appliqués.

Il est à noter que l'action d'enlever ou de fixer le repose-pieds par l'intervenant peut se voir facilitée si les freins sont appliqués.

Le défaut de suivre ces directives augmentera inutilement le risque de chutes graves pour les résidents, les intervenants ou les tierces personnes, occasionnées par un fauteuil se déplaçant involontairement.

2.5.5 Repositionnement du résident - « Risque de se coincer »

Les fauteuils BRODA offrent les avantages de l'inclinaison du siège et du réglage de la hauteur des accoudoirs. Lors de l'actionnement de l'une ou l'autre de ces fonctions, les mesures de sécurité suivantes doivent être observées:

- 1) Les bras du résident doivent être placés sur les accoudoirs ou à l'intérieur de l'armature du fauteuil, les mains sur ou au-dessus de son corps.
- 2) Les pieds du résident doivent être positionnés correctement sur les repose-pieds.
- 3) Tous les freins du fauteuil doivent être appliqués.
- 4) Le fauteuil ne doit être actionné que par un seul intervenant à la fois.
- 5) Une seule fonction du fauteuil doit être actionnée à la fois.
- 6) Les roues arrière doivent être en position de déplacement, derrière l'armature du fauteuil.
- 7) Le corps des résidents et des intervenants doit être dégagé de tous les points de pincement potentiels avant d'actionner les fonctions du fauteuil.

Le défaut de suivre ces mesures de sécurité expose les membres des résidents ou des intervenants à des risques de blessure. Les résidents qui ne sont pas conscients de la position de leur corps ou qui ne peuvent maintenir une position sécuritaire

sont les plus exposés au risque de coinçage, et les intervenants doivent être plus prudents avec ces derniers. Un deuxième intervenant pourrait assurer la sécurité de ces résidents pendant les manoeuvres.

2.5.6 Mouvement involontaire - « Risque de tomber ou d'entrer en collision »

Nous recommandons les fauteuils BRODA pour un usage intérieur dans un établissement de soins de longue durée, et là où une pente n'est pas assez prononcée pour avoir recours à de l'aide pour les déplacer. Des fauteuils utilisés sur des surfaces inégales ou en pente représentent un risque de mouvements involontaires et peuvent devenir sérieusement dangereux pour le résident, le ou les intervenant(s) ou des tierces personnes. Nous recommandons que les fauteuils BRODA soient localisés loin des cages d'escalier, des ascenseurs et des entrées de porte extérieures dans un établissement de soins de longue durée.

Un usage extérieur est approprié seulement sous la surveillance stricte et la pleine attention d'un intervenant qui est physiquement capable d'empêcher tout mouvement involontaire sur toutes les surfaces qui devront être empruntées. Nous recommandons qu'un deuxième intervenant vienne porter main forte lorsque le fauteuil est déplacé sur des surfaces qui pourraient causer d'importants mouvements involontaires.

2.5.7 Vêtements du résident - « Risque de blesser sa peau »

Nous recommandons que les résidents ne soient assis dans leur fauteuil que lorsqu'ils sont complètement habillés avec des vêtements satisfaisant les besoins de leur état spécifique. Si après avoir été complètement habillé, des parties dénudées du corps du résident, comme les bras ou les jambes, peuvent encore entrer en contact direct avec les courroies ou les coussins protecteurs en vinyle, nous recommandons l'utilisation d'une housse, tels la housse de siège BRODA en tissu éponge et/ou un coussin de dossier ou un drap de lit plié afin d'empêcher un contact direct. Un contact direct de la peau nue du résident sur les courroies pendant une certaine période de temps peut occasionner de l'humidité et/ou faire coller la peau sur les courroies. Avant tout actionnement ou déplacement d'un fauteuil avec une housse, l'intervenant doit s'assurer qu'aucune partie de celle-ci n'entre en contact avec une pièce mobile du fauteuil et que la housse tient solidement en place, pour ne pas glisser.

2.5.8 Utilisation inappropriée d'une contention - « Risque de se blesser grièvement »

Nous recommandons que des solutions de rechange aux contentions physiques soient adoptées avec les résidents lorsqu'ils sont assis dans le fauteuil, sauf sur directives spécifiques de l'intervenant responsable du résident, et avec la permission de sa famille ou de son tuteur. Les contentions physiques ont été identifiées comme une cause fréquente de blessures graves infligées aux résidents lorsqu'ils sont assis. Nous recommandons que l'intervenant responsable du positionnement assis considère d'abord les options de repositionnement qu'offre le fauteuil pour réduire les risques de glissement, de chute ou d'automutilation.

S'il est établi qu'une contention physique est appropriée pour empêcher le résident de glisser ou de tomber en bas du fauteuil, nous recommandons l'utilisation de la ceinture abducteur coussinée BRODA. Dans tous les cas, il est de la responsabilité de l'intervenant responsable du résident de veiller à la sécurité de ce dernier si des contentions sont utilisées.

2.6 Utilisation inappropriée

Tel que décrit, l'utilisation inappropriée du fauteuil est dangereuse pour le résident, les intervenants ou les tierces personnes. Cette utilisation comporte, sans y être limitée, les actions suivantes :

- 1) actionnement non autorisé des fonctions du fauteuil;
- 2) déplacement non autorisé du fauteuil;
- 3) utilisation inadéquate du fauteuil pour un résident qui n'a pas été évalué par un intervenant qualifié responsable du positionnement assis;
- 4) défaut de replacer fréquemment le résident dans le fauteuil;
- 5) tenter d'actionner simultanément plusieurs fonctions du fauteuil, par un ou plusieurs intervenant(s);
- 6) tenter de déplacer le fauteuil alors que les freins sont appliqués;

- 7) laisser le résident sans surveillance dans le fauteuil à proximité d'autres objets;
- 8) laisser un résident agité dans un endroit non supervisé;
- 9) laisser un résident sans surveillance;
- 10) laisser un résident dans un fauteuil sur une surface en pente;
- 11) laisser un fauteuil sans surveillance sur une surface en pente;
- 12) utiliser des accessoires autres que BRODA sur le fauteuil;
- 13) utiliser le fauteuil à des températures inférieures à 0 °C;
- 14) utiliser le fauteuil comme une chaise-douche/bain;
- 15) utiliser le fauteuil pour tout autre usage que ceux pour lesquels il est conçu.

2.7 Nettoyage

Les fauteuils BRODA devraient être nettoyés avec de l'eau et du savon, puis essuyés. Un nettoyant domestique dilué à base d'ammoniaque fort ou de chlore, ainsi qu'un nettoyant homologué pour les hôpitaux peuvent être utilisés au besoin.

Référez-vous au guide ci-dessous pour nettoyer certaines substances tachantes (s'applique au vinyle Permablok3[®], selon les recommandations du fabricant). L'armature et les composantes du fauteuil peuvent être nettoyées en suivant la même procédure que pour le vinyle.

Les étapes ci-dessous se retrouvent également dans le guide de nettoyage situé au dos du fauteuil.

Substance tachante	Procédure de nettoyage
Ombre à paupière / Fard à cils	Étape 1
Graisse / Lotion solaire / Chocolat	Étape 1
Sang / Fluides corporels	Étape 2
Rouge à lèvres	Étape 2
Peinture à l'huile / Goudron / Asphalte	Étape 3
Autres taches tenaces	Étape 4 ou 5*

Étape 1 : Enlevez le plus gros avec un linge humide. Nettoyez avec un mélange 1:1 de liquide Ivory[®] et d'eau. Rincez à l'eau claire et laissez sécher.

Étape 2 : Vaporisez directement un nettoyant concentré tel que Formula 409[®] ou Fantastik[®]. Frottez ensuite avec un linge propre. Si vous utilisez un nettoyant homologué pour les hôpitaux, suivez les directives de dilution sur l'étiquette.

Étape 3 : Utilisez un mélange 1:1 d'ammoniaque et d'eau ou un mélange 1:4 d'eau de Javel et d'eau. Rincez à l'eau claire et laissez sécher.

Étape 4 : Appliquez du naphta (essence à briquet). Rincez abondamment à l'eau claire et assécher en tapotant.

Étape 5 : Utilisez un mélange 1:1 d'alcool isopropylique et d'eau. Si la tache persiste, utilisez de l'alcool pur. Rincez abondamment à l'eau claire et assécher en tapotant. Si la tache persiste encore, utilisez un mélange 1:1 d'acétone et d'eau. Rincez à l'eau claire et assécher en tapotant.

***Note :** Pour le nettoyage nécessitant les procédures des étapes 4 ou 5 [±] Utilisez un linge de coton souple imbibé du produit nettoyant et frottez la tache en dessinant des cercles une dizaine de fois. Asséchez en tapotant avec un autre linge de coton souple, et constatez le résultat.

Pour de meilleurs résultats de nettoyage, certaines pièces et rembourrages du fauteuil devraient être enlevées. Les directives pour l'enlèvement des pièces suivantes se retrouvent dans ce manuel. Assurez-vous de nettoyer complètement le fauteuil, incluant ses parties fixes et amovibles.

Portez une attention particulière à l'armature, aux douilles, fixations, pièces et roulettes, ainsi qu'au rembourrage pour un nettoyage uniforme et soigné.

Si désiré, enlevez les pièces suivantes pour le nettoyage:

- 1) Les oreilles
- 2) Les accoudoirs pivotants/amovibles
- 3) Le rembourrage

Nettoyez soigneusement toutes les pièces amovibles et le rembourrage, ainsi que l'armature et les composantes autour des pièces et du rembourrage qui ont été enlevés.

Les fauteuils BRODA ne devraient pas être nettoyés avec des nettoyants à base de pétrole. Tout produit à base de pétrole entrant en contact avec n'importe quelle surface de vinyle devrait être enlevé aussi rapidement que possible. Les produits à base de pétrole rendent le vinyle fragile et endommageront la surface du siège et les coussins. Les pièces de métal et les coussins devraient être essuyés complètement après leur nettoyage. Ne pas laver le vinyle coussiné à la machine. Le siège en tissu éponge et la housse du dossier peuvent être lavés et séchés à la machine.

Ne laissez pas le fauteuil sécher à l'air libre. Cette façon de faire, qui ne garantit pas un séchage complet, peut faire rouiller l'armature et les composantes. Des solvants comme ceux qui se retrouvent dans les lubrifiants en aérosol ne devraient pas être utilisés sur les fauteuils BRODA, du fait qu'ils peuvent endommager les pièces mobiles.

La fréquence et la méthode de nettoyage des fauteuils devraient être déterminées par les protocoles de contrôle des infections de l'établissement. S'il est visiblement souillé, nettoyez immédiatement le fauteuil soigneusement selon les directives de nettoyage de ce manuel.

Les directives de nettoyage de ce manuel n'existent qu'à titre indicatif. Les résultats peuvent varier dans des conditions réelles. L'information ne dégage pas l'utilisateur d'un usage approprié et sécuritaire du fauteuil et des produits nettoyants, ni des considérations générales d'entretien et de nettoyage de celui-ci. Les directives de nettoyage et de soin doivent être suivies conjointement avec les protocoles de contrôle des infections de l'établissement.

BRODA n'acceptera pas les réclamations de garantie sur les fauteuils qui n'auront pas été nettoyés selon ces directives ou entretenus de façon à préserver la sécurité et l'hygiène du résident, des intervenants et des tierces personnes. L'utilisation de certaines substances peut nuire à l'apparence et la durée de vie du vinyle. BRODA n'assume aucune responsabilité résultant de l'utilisation de tels produits de nettoyage sur le vinyle.

De la peinture pour retouches est disponible pour l'armature peinte par pulvérisation. Veuillez appeler le service à la clientèle de BRODA si des retouches de peinture sont nécessaires. Ne laissez pas les fauteuils BRODA dehors, car l'armature n'est pas protégée contre les rayons UV. Laisser les fauteuils dehors pourra faire écailler la peinture.

Formula 409® est une marque de commerce de la compagnie *Clorox*.
Fantastik™® est une marque de commerce de *DowBrands inc.*
Marque de commerce de la compagnie *Dow Chemical*
Ivory® est une marque de commerce de *Proctor and Gamble*.

2.8 Entretien

L'entretien sur un fauteuil BRODA variera en fonction de son utilisation et de l'état du résident en faisant usage.

En usage régulier, après l'inspection initiale et l'essai de fonctionnalité, le fauteuil devrait être inspecté et examiné. Nous recommandons une inspection visuelle régulière pour détecter des signes d'usure, des dommages, des fixations desserrées ou manquantes et autres préoccupations de sécurité. Un essai des fonctions du fauteuil se révèle également nécessaire. Si un bris, une défectuosité ou un problème opérationnel sont détectés, le fauteuil doit être convenablement réparé, inspecté et testé avant d'être remis en service.

Le fauteuil devrait être inspecté et examiné aussi souvent qu'à chaque utilisation.

N'utilisez aucun lubrifiant contenant des solvants. Ces derniers peuvent endommager toute composante en caoutchouc du fauteuil. Si nécessaire, une graisse blanche ou un lubrifiant de classe alimentaire peuvent être utilisés sur toutes composantes coulissantes.

3 ACTIONNEMENT ET DÉPLACEMENT

Les mesures de sécurité décrites à la Section 1 doivent être observées lors de l'actionnement des fonctions du fauteuil ou lors de son déplacement. Seuls les intervenants autorisés devraient actionner ou déplacer le fauteuil. L'intervenant doit utiliser une bonne mécanique corporelle lors de l'utilisation du fauteuil, et il doit être préparé à soutenir le poids du résident tout en actionnant le fauteuil.

3.1 Inclinaison du siège – postérieure et antérieure

Un cylindre hydraulique actionné par une pompe à pied permet au siège d'être facilement incliné à n'importe quelle position, de la plus relevée à la plus basse dans son rayon d'action. La pompe à pied contribue à réduire la force élévatrice. Inclinez le siège pour positionner le résident de façon sécuritaire, répartir la pression et accroître le confort.

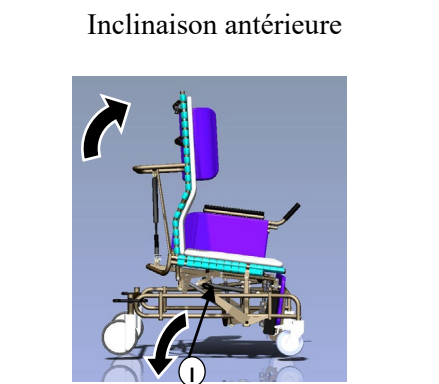
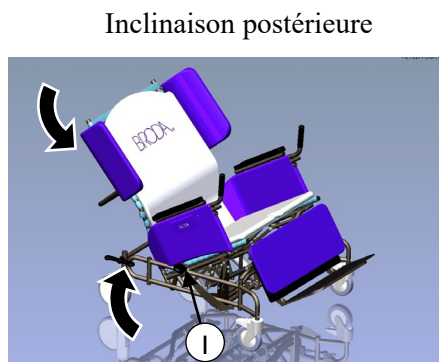
Pour actionner l'inclinaison postérieure du siège :

- Placez le pied sous la pompe à pied et exercez une pression vers le haut.
- Abaissez le siège jusqu'à ce que l'angle désiré soit atteint.

Pour actionner l'inclinaison antérieure du siège :

- Placez le pied sur la pompe à pied et pompez vers le bas.

Continuez de pomper jusqu'à ce que l'angle désiré soit atteint.



3.2 Allongement du dossier

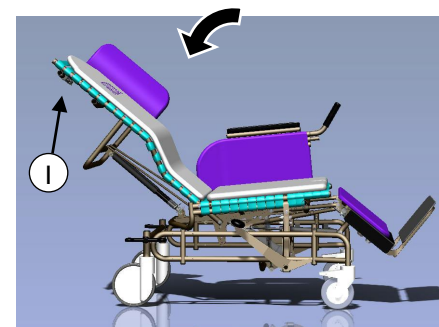
Le Vanguard Elite comporte une caractéristique d'allongement contrôlé. Un cylindre au gaz permet au dossier de s'allonger à n'importe quelle position, de la plus relevée à la plus basse dans son rayon d'action. Utilisez l'allongement du dossier pour positionner le résident, répartir la pression, accroître le confort et faciliter les soins quotidiens.

ATTENTION : Toujours incliner légèrement le fauteuil avant de l'allonger pour empêcher le résident de glisser.

Ne pas enlever les rondelles d'espacement du cylindre d'allongement.

Pour actionner l'allongement du dossier :

- Placez votre main gauche sur la barre supérieure pour accompagner le mouvement et appuyez sur la poignée d'allongement avec votre main droite.
- Élevez ou abaissez le dossier jusqu'à ce que l'angle désiré soit atteint.



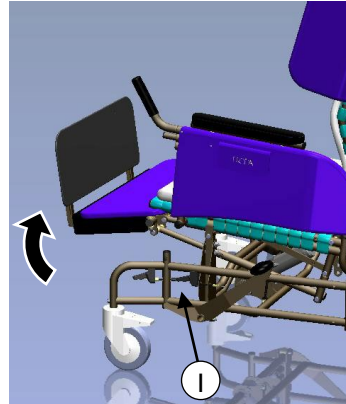
3.3 Élévation du repose-jambes

Les cylindres au gaz permettent de positionner le repose-jambes à n'importe quelle position de l'horizontale à la verticale. Le repose-jambes s'élève et s'étend avec l'allongement.

Pour ajuster le repose-jambes :

- Tenez le repose-jambes pour accompagner le mouvement et appuyez sur la poignée du repose-jambes.
- Élevez ou abaissez le repose-jambes jusqu'à l'angle désiré.

Le repose-jambes s'articule en allongeant le dossier mais pas en inclinant le siège. Si le dossier est en position allongée, le repose-jambes ne peut pas être abaissé indépendamment.

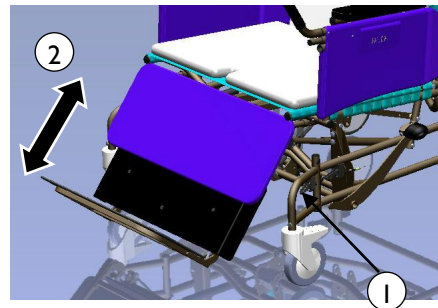


3.4 Ajustement de la longueur du repose-jambes

La longueur du repose-jambes du Vanguard est réglable pour s'adapter aux différents résidents.

Pour ajuster la longueur du repose-jambes :

- Appuyez sur la poignée d'ajustement de la longueur du repose-jambes.
- Allongez ou raccourcissez le repose-jambes à la longueur désirée.



3.5 Oreilles amovibles

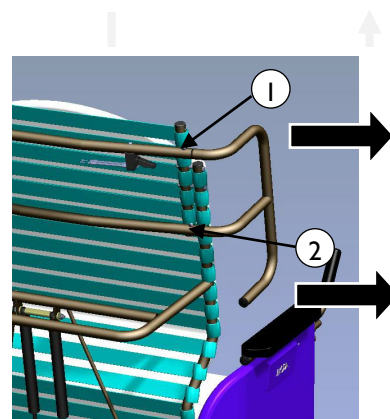
Les oreilles supportent les coussins pour épaules, qui offrent au résident un soutien latéral du tronc.

Pour enlever l'oreille :

- Enfoncez le bouton-poussoir du haut (1) et retirez l'oreille de son réceptacle.
- Enfoncez le bouton-poussoir du bas (2) et la tirer hors du réceptacle.

Pour insérer l'oreille :

- Insérez l'extrémité inférieure de l'oreille dans le réceptacle inférieur. Insérez ensuite l'extrémité supérieure dans le réceptacle supérieur. Assurez-vous que l'oreille est bien bloquée en position.

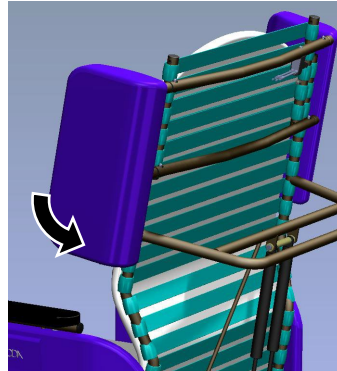


3.6 Coussins pour épaules

Les coussins pour épaules procurent un soutien à la partie supérieure du tronc, constituent une protection et un confinement, et accommodent les asymétries de l'utilisateur du fauteuil. Le coussin pour épaule est toujours utilisé conjointement avec l'oreille latérale.

Pour fixer les coussins pour épaules :

- Le côté ouvert vers le haut, faites glisser le coussin pour épaule sur le bas de l'oreille.
- Faites glisser le coussin pour épaule jusqu'en haut de l'oreille et fixez-le en position.



3.7 Accoudoirs pivotants/amovibles

Les accoudoirs pivotants amovibles permettent un accès latéral pour faciliter des transferts sécuritaires et sans difficulté. Les fauteuils Élite offre un choix de deux différents styles d'accoudoirs : fixés sur le siège ou fixés sur la base. (Les accoudoirs fixés sur le siège s'inclinent avec le siège alors que les accoudoirs fixés sur la base demeurent à angle fixe.)

Pour enlever les accoudoirs fixés sur la base :

- Exercez une pression vers le bas sur l'avant de l'accoudoir tout en appuyant sur le bouton du panneau latéral jusqu'à ce qu'il se déclenche.
- Faites pivoter le panneau latéral complètement ou retirez-le.

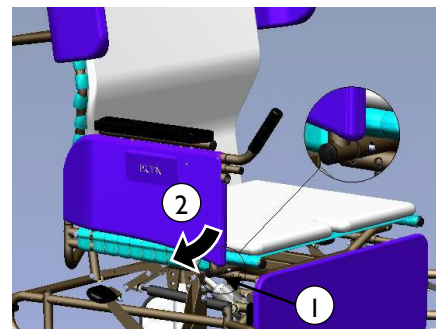
Pour enlever les accoudoirs fixés au siège :

- Appuyez sur le bouton situé à l'avant du siège tout en tirant l'accoudoir vers l'extérieur.
- Faites pivoter le panneau latéral complètement ou retirez-le.

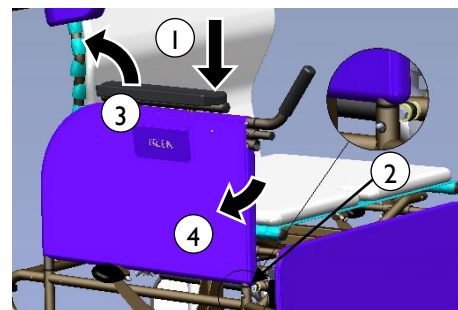
Pour installer les accoudoirs fixés à la base ou au siège :

- Insérez l'extrémité arrière du panneau latéral dans le réceptacle arrière.
- Faites pivoter le panneau latéral vers l'avant du fauteuil et insérez l'avant de l'accoudoir dans le réceptacle avant jusqu'à ce que vous entendiez un clic.

Accoudoirs pivotants/amovibles –
Fixés sur le siège



Accoudoirs pivotants/amovibles –
Fixés sur la base



3.8 Accoudoirs à hauteur ajustable

La hauteur de l'accoudoir peut facilement être ajustée pour accommoder chaque résident. La hauteur de l'accoudoir devrait être ajustée de sorte à offrir un soutien approprié au bras du résident, tel que déterminé par l'intervenant.

Pour ajuster la hauteur de l'accoudoir :

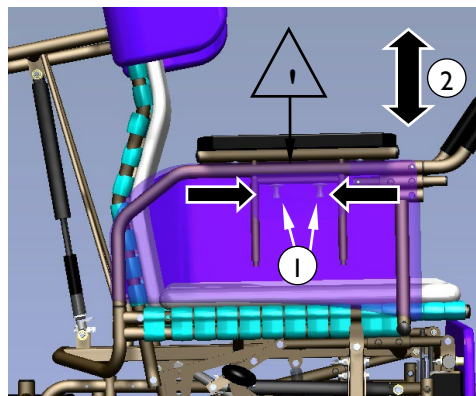
- Pressez ensemble les tiges situées sous l'accoudoir.

ATTENTION : NE PAS placer les doigts dans le haut des tiges, au risque de se faire pincer. Placez les doigts à l'emplacement concave sur les tiges.

- Élevez ou abaissez l'accoudoir à la hauteur désirée.

ATTENTION : NE PAS placer les doigts sous l'accoudoir d'aucune façon au moment de l'ajustement, au risque de se faire pincer. En relâchant les tiges, l'accoudoir se bloquera en place à la hauteur choisie.

- Fixez le côté extérieur du panneau latéral. Changez la hauteur de l'autre bras si désiré.



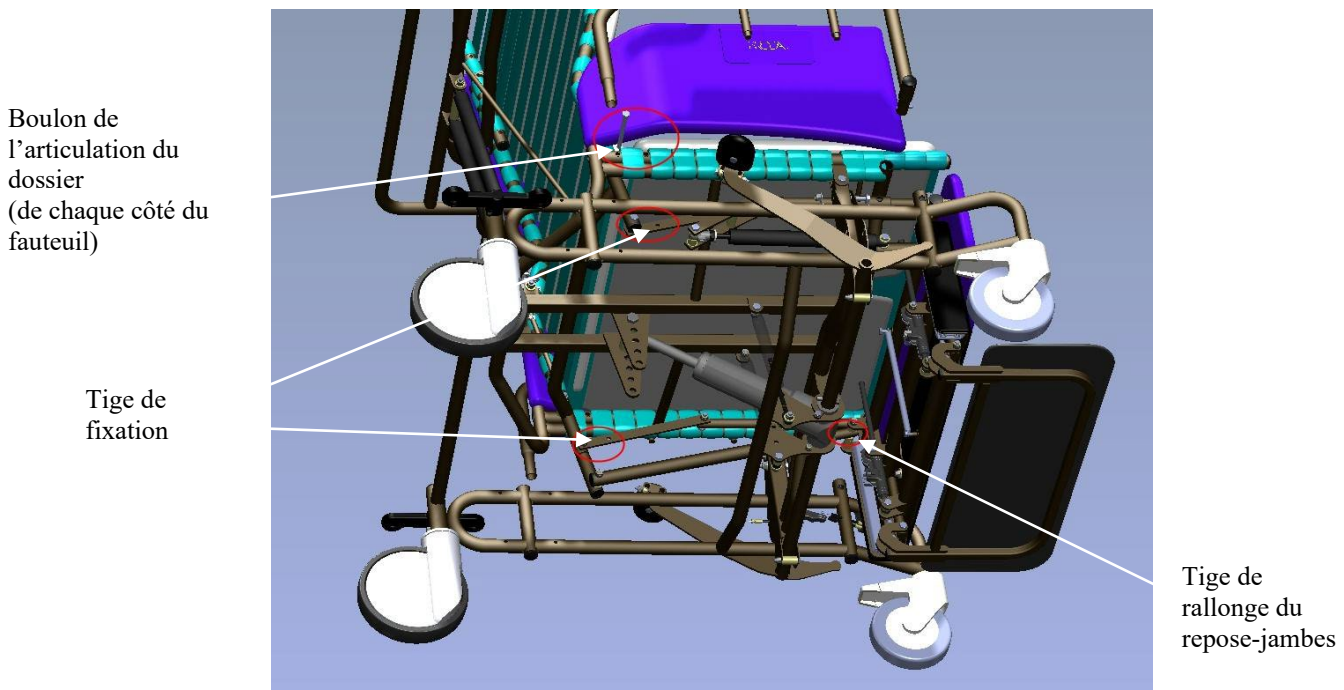
3.9 Siège à profondeur ajustable

La profondeur du siège peut être réglée à 21" ou 23". L'ajustement s'effectue en changeant l'emplacement du dossier par rapport au siège.

Pour ajuster la profondeur du siège :

- Avant d'enlever les boulons, veuillez noter leur orientation et l'emplacement des rondelles d'espacement, afin de les réinstaller de la même manière. Après tout ajustement, assurez-vous que les boulons sont réinsérés dans le même emplacement de chaque côté du fauteuil.
- Enlevez les boulons de la tige de fixation de chaque côté du fauteuil et passez-les dans l'autre trou de la tige de fixation.
- Remplacer la tige de rallonge du repose-jambes par la version plus courte ou plus longue selon que la profondeur a été raccourcie ou allongée.
- Enlevez les boulons de l'articulation du dossier de chaque côté du fauteuil et remettez-les dans l'autre trou du point d'articulation du dossier, pour accommoder le nouvel emplacement des tiges de fixation.
- Assurez-vous que tous les boulons sont serrés.

Ajustement de la profondeur du siège :



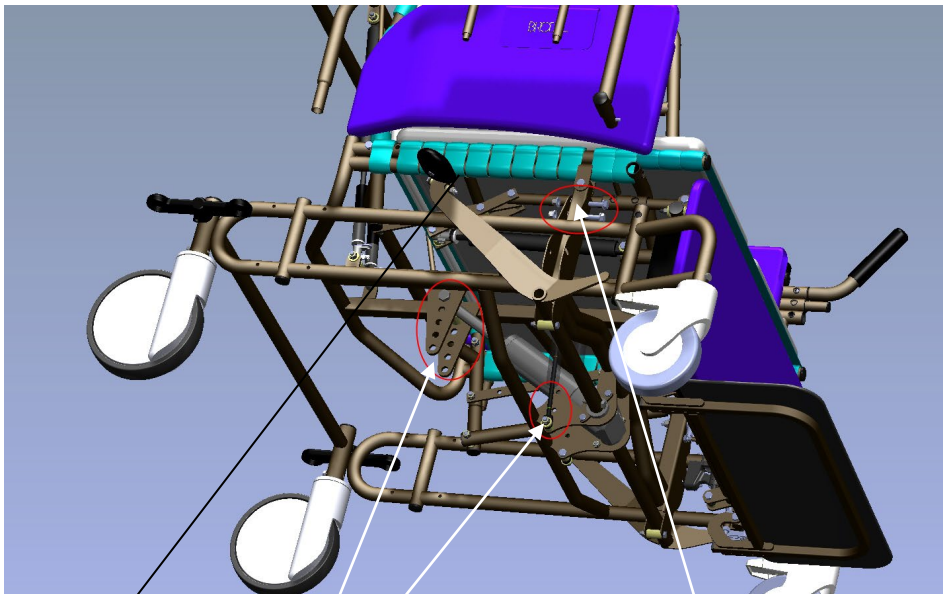
3.10 Siège à hauteur ajustable

La hauteur du siège peut être réglée à 20", 21", 22", 23" ou 24". L'ajustement s'effectue en changeant l'emplacement des boulons de la hauteur du siège.

Pour ajuster la hauteur du siège :

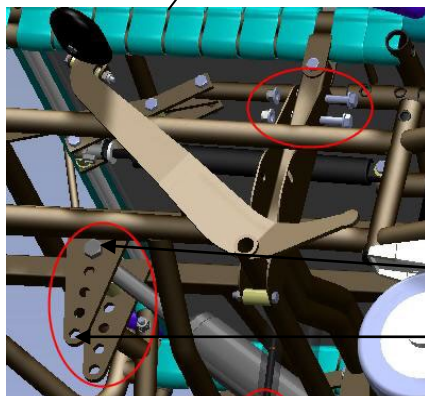
- Avant d'enlever les boulons, veuillez noter leur orientation et l'emplacement des rondelles d'espacement, afin de les réinstaller de la même manière. Après tout ajustement, assurez-vous que les boulons sont réinsérés dans le même emplacement de chaque côté du fauteuil.
- Changez les boulons de la hauteur du siège de chaque côté du fauteuil par l'emplacement de votre choix selon la hauteur désirée.
- Changez les boulons de fixation du cylindre pour accommoder la nouvelle hauteur des boulons de fixation de la hauteur du siège.
- Assurez-vous que tous les boulons sont serrés.

Ajustement de la hauteur du siège :



Boulons de fixation du cylindre

Boulons de la hauteur du siège



Plus basse
hauteur du siège

Emplacement le plus bas du boulon de
fixation du cylindre de la hauteur du siège

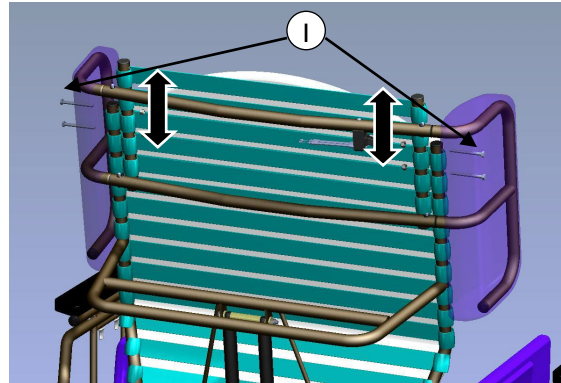
Emplacement le plus haut du boulon de fixation
du cylindre de la hauteur du siège

3.11 Dossier à longueur ajustable

La longueur du dossier peut être réglée à 32", 24", 26", 38" ou 40".

Pour ajuster la longueur du dossier :

- Avant d'enlever les boulons, veuillez noter leur orientation et l'emplacement des rondelles d'espacement, afin de les réinstaller de la même manière.
- Enlevez les boulons sur la rallonge du dossier (situés près des oreilles).
- Montez ou baissez la rallonge du dossier vis-à-vis le trou dans l'armature du dossier correspondant à la longueur désirée. Les oreilles font partie intégrante de la rallonge du dossier pour permettre des modifications proportionnelles de la longueur du dossier et de l'emplacement des oreilles.
- Insérez les boulons dans leur trou respectif et serrez-les.



3.12 Poignées d'appui

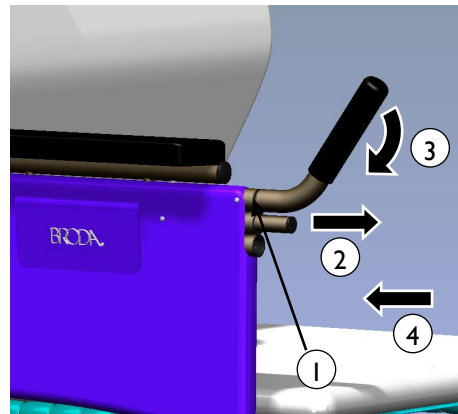
Les poignées d'appui facilitent les transferts sécuritaires de la position assise à debout. Les poignées peuvent être tournées vers le bas pour faire de la place au plateau de service.

Pour tourner/ajuster les poignées d'appui :

- Appuyez sur la cheville d'arrêt.
- Tout en appuyant sur la cheville, tirez sur la poignée.
- Tournez vers le bas et insérez le tuyau dans le réceptacle inférieur.

Pour enlever les poignées d'appui :

- Appuyez sur la cheville d'arrêt arrière (derrière le coussin latéral en vinyle).
- Tout en appuyant sur la cheville, tirez sur la poignée pour la dégager.



3.13 Roulettes

Le Vanguard Elite est équipé de roulettes avant de 6" autobloquantes à toutes positions et de roulettes arrière de 8" autobloquantes directionnelles.

Pour actionner les roulettes avant :

Appuyez sur l'avant ou l'arrière de la pédale pour bloquer ou débloquer la roulette.

Pour actionner les roulettes arrière :

La fonction de la roulette arrière est contrôlée par une simple pression du pied sur la pédale papillon.

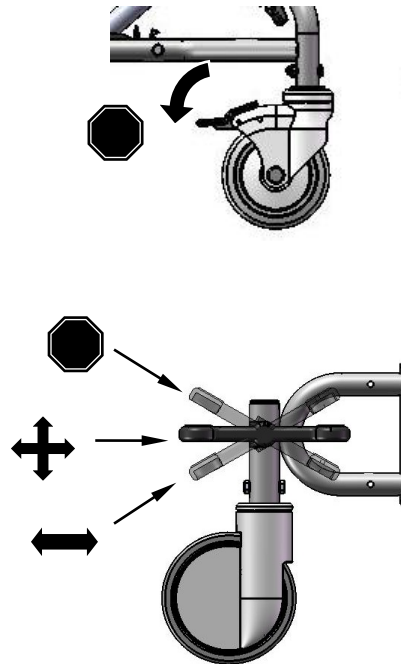
La fonction directionnelle élimine toute action pivotante, ce qui est idéal lorsqu'on pousse le fauteuil dans les corridors.

La fonction pivotante est idéale pour manœuvrer dans des espaces restreints et pour déplacer le fauteuil de côté.

La fonction autobloquante empêche le déplacement des deux roulettes arrière.

Assurez-vous toujours que les freins sont débloqués lorsque vous déplacez le fauteuil.

N'essayez pas d'installer des roues en alliage léger (mag) sur les fauteuils Vanguard Elite.



3.14 Accessoires (en option)

Nous recommandons les accessoires BRODA seulement sur les fauteuils BRODA. L'installation adéquate d'un accessoire BRODA est très importante. Nous recommandons que le fauteuil BRODA soit commandé avec les accessoires requis déjà installés. Seuls les intervenants qui connaissent à fond les procédures d'installation des accessoires devraient installer leurs accessoires BRODA sans l'assistance du représentant BRODA de leur région. BRODA ne recommande pas l'utilisation des accessoires d'un autre fabricant sur les fauteuils BRODA.

4 INSPECTION ET ESSAI DE FONCTIONNALITÉ

Les mesures de sécurité décrites à la Section 1 doivent être observées au moment de l'inspection ou de l'essai de fonctionnalité du fauteuil. Seuls les intervenants autorisés ou le personnel d'entretien devraient inspecter ou tester un fauteuil.

4.1 Inspection

Nous recommandons une inspection visuelle régulière pour détecter des signes d'usure, des dommages, des dispositifs desserrés ou manquants et autres préoccupations de sécurité. Si un bris, une défectuosité ou un problème opérationnel sont détectés, le fauteuil doit être réparé, inspecté et testé avant d'être remis en service.

Nous recommandons que le fauteuil soit inspecté aussi souvent qu'à chaque utilisation si quelque raison pousse à envisager la possibilité d'une usure prématurée, d'un desserrage ou d'un démantèlement de certains dispositifs. La procédure d'inspection visuelle devrait au moins comprendre l'observation de chaque dispositif (fixations) :

La procédure d'inspection visuelle devrait au moins inclure l'observation des pièces suivantes :

- 1) les cylindres qui positionnent l'inclinaison du siège, l'allongement du dossier et l'élévation indépendante du repose-jambes;
- 2) les courroies de vinyle qui composent le siège, le dossier, le repose-jambes, le repose-pieds et les oreilles;
- 3) les coussins;
- 4) les poignées noires et les câbles;
- 5) les tiges d'ajustement de la hauteur des accoudoirs;
- 6) la pompe à pied;
- 7) les poignées d'appui.

La procédure d'inspection visuelle devrait inclure l'observation de tous les accessoires installés. L'inspection visuelle devrait être effectuée par l'établissement ou, dans le cas d'une résidence privée, par l'individu responsable du fauteuil.

4.2 Essai de fonctionnalité

Nous recommandons que les fonctions du fauteuil soient tout d'abord testées avant d'y asseoir un résident. Ces essais peuvent devoir être réalisés aussi souvent qu'à chaque utilisation si quelque raison pousse à envisager la possibilité d'une usure prématurée ou d'un dommage aux composantes du fauteuil. Au minimum, en usage régulier, les fonctions du fauteuil devraient être testées selon les directives de la Section 3.

Si l'intervenant ou le personnel d'entretien responsable des essais considèrent que n'importe quelle fonction ne s'effectue pas correctement, le fauteuil doit être mis hors service jusqu'à ce qu'un essai de fonctionnalité se révèle concluant.

L'intervenant ou le personnel d'entretien responsable des essais doivent savoir que l'allongement du dossier et l'élévation du repose-pieds (repose-jambes) seront effectués plus difficilement sans un résident dans le fauteuil. Au moment des réparations ou de l'entretien, ne pas utiliser de lubrifiants contenant des solvants. Ces derniers endommageront plusieurs composantes mobiles dans le fauteuil. Si nécessaire, de la graisse (lubrifiante) blanche de classe alimentaire peut être utilisée sur les composantes coulissantes. N'appliquer de lubrifiants en aérosol sur aucune pièce.

5 INFORMATION TECHNIQUE

5.1 Spécifications

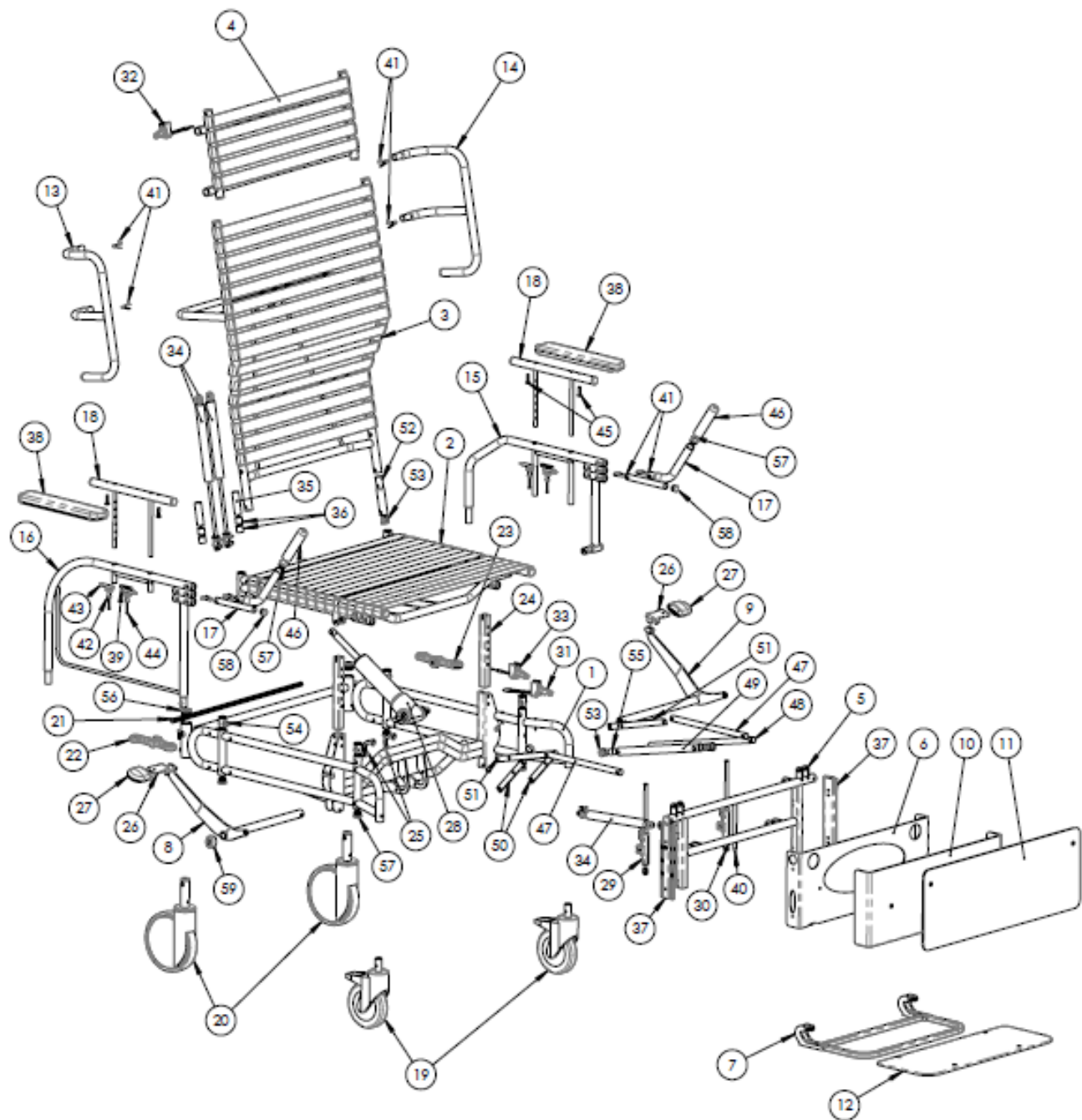
Spécifications basées sur le fauteuil Vanguard Elite 985 avec siège de 30" de largeur

1. Allongement du dossier : Jusqu'à 45° (allongement du dossier, ajustable à toutes positions)
2. Inclinaison du siège : Jusqu'à 30° (inclinaison postérieure du siège, ajustable à toutes positions, actionnée par une pompe à pied manuelle)
Jusqu'à 10° (inclinaison antérieure du siège, ajustable à toutes positions, actionnée par une pompe à pied manuelle)
3. Pompe à pied : Situé de chaque côté du fauteuil pour actionner les inclinaisons postérieure et antérieure
4. Armature : Acier tubulaire de calibre 16 recouvert de peinture en poudre pulvérisée
5. Surface du siège et du dossier : Les courroies BRODA Comfort Tension Seating™ de 1,5" de largeur par 0,130" d'épaisseur; comportent un fongicide, ont une mémoire de forme et sont ignifuges.
Les courroies sont tissées en double sur le siège et le dossier pour un soutien supplémentaire.
6. Accoudoirs : Choix d'accoudoirs fixés sur le siège ou sur la base
Pivotants et amovibles
Hauteur de l'accoudoir ajustable
7. Repose-jambes : Le reposer-jambes s'articule et s'étend avec l'allongement du dossier
Le reposer-jambes s'ajuste indépendamment du dossier
Le reposer-jambes s'ajuste à n'importe quel angle entre l'horizontale et la verticale
Le reposer-jambes est ajustable en longueur
8. Repose-pieds : Repose-pieds repliable pour faciliter les transferts
9. Oreilles : Oreilles amovibles
10. Rembourrage : Rembourrage amovible (coussins pour épaules, coussin de tête et coussins latéraux supérieurs et inférieurs, coussins de siège et de dossier avec housses en ratine de coton amovibles, coussin de mollet, coussin de reposer-pieds, housses en ratine de coton supplémentaires). Le vinyle de recouvrement de 34 onces spécifique aux soins de santé est fabriqué pour satisfaire les normes suivantes : DIN 75 200/DIN 53 438; MVSS 302, M2; CAL 117, et satisfaire le test Wyzenbeck de résistance à l'abrasion. Sa surface antimicrobienne, antibactérienne, antitache et antistatique résiste aux craquelures jusqu'à -20 °C. Sa mousse en polyuréthane satisfait les normes CAL 117-2013.

Les coussins amovibles du siège et du dossier sont recouverts d'un vinyle souple de 8 onces qui satisfait la norme CAN2-162 d'inflammabilité des textiles utilisés dans les hôpitaux. Leur mousse en polyuréthane satisfait les normes CAL 117-2013. Des housses sur mesure en ratine de coton pré-rétrécie amovibles et lavables sont fournies pour les coussins du siège et du dossier. Les housses en ratine de coton sont absorbantes et permettent le transfert de la vapeur et de la chaleur.
11. Roulettes : Roulettes avant de 6" autobloquantes à toutes positions et roulettes arrière de 8" autobloquantes multidirectionnelles
Pneus en caoutchouc gris non marquant
12. Poignées d'appui : Rotatives vers le bas et amovibles
13. Profondeur du siège : Ajustable à 21" ou 23"
14. Hauteur du siège : Ajustable à 20", 21", 22", 23", 24"
15. Largeur du siège : Modèles de 26", 28" ou 30" de largeur disponibles
16. Longueur du dossier : Ajustable à 32", 34", 36", 38", 40"
17. Largeur hors tout : 39" (siège 30" de largeur)
18. Capacité de charge : 600 lbs. (272 kg)
19. Poids total : Approx. 160 lb (siège 30" de largeur)

Toutes les dimensions comportent un jeu de ± 0,5".

5.2 Vue explosive des pièces du fauteuil Vanguard 985 de BRODA
 (Illustré avec le dossier courbé facultatif)



Numéros de référence des pièces du schéma du fauteuil Vanguard 985 de BRODA

Number	Item	Description	Qty
1	BASE-985	Base Frame 985 (width) (color)	1
2	SEAT-985	Seat Frame 985 (width) (color)	1
3	BACK-(S/C)-985	Back Frame 985 (straight or curved) (width) (color)	1
4	BACK-EXT-985	Back Extension Frame 985 VG (width) (color)	1
5	LGRT-U-985	Legrest Frame Upper 985 VG (width) (color)	1
6	LGRT-DRAWER	Legrest Frame Drawer Slider (width)	1
7	F-SINGLE-985	Footrest Frame Single 985 (width)	1
8 & 9	PUMP-LEVER-985	Pump Lever Frame 985 VG (width) (left/right)	2
10	HEEL-PLATE-985	Heel Plate ABS 985 VG (width)	1
11	CALF-PLATE-985	Calf Plate ABS 985 VG (width)	1
12	F-PLATE-985	Foot Plate ABS 985 VG (width)	1
13 & 14	WING-985	Wing Frame Removable 985 VG (left/right) (color)	2
15	ARM-BTM-SM-985	Arm Frame Seat Mount 985 VG (left/right) (color)	2
16	ARM-BTM-BM-985	Arm Frame Base Mount 985 VG (color)	2
17	HNDL-985	Frame Stand Assist Handle 985 VG	2
18	ARM-TOP	Arm Frame Height Adjustable V2/V3 (color)	2
19	CASTER-6"TL	Caster 6 Total Lock	2
20	CASTER-8"DL-985VG	Caster 8 Single Directional Locking	2
21	CTRL-ROD	Frame Wheel Control Rod (width)	1
22 & 23	MDLCPEDAL2	Multi Directional Locking Caster Pedal (left/right)	2
24	POST-HGT	Base Frame Seat Height Posts	2
25	PUMP-RTNR	Base Frame Pump Retainer	2
26	F-PUMP-PDL-985	Foot Pump Pedal	2
27	CYL-PUMP-PD	Cylinder Pump Pedal Pad	2
28	CYL-HYD-985V2	Cylinder Hydraulic Tilt 985 VG	1
29 & 30	LGRT-SLIDE-(LH/RH)985	Meclok Cyl 985 VG Legrest Length Adj (left/right)	2
31	CABLE-HAND-DBL-32RV-985	Double Cable & Handle w/32" Reversed Cable Length	1
32	CABLE-HAND-DBL	Double Cable and Handle Assembly (48" cable length)	1
33	CABLE-HAND	Cable and Handle Assembly (48" cable length)	1
34	CYL-LOCK-KIT	Cylinder Gas Spring 300N and Actuator w/lever	3
35	CYL-LIMIT	Cylinder Limiter Spacer	2
36	REPLACEMENT HARDWARE	Spacers BLK NYL 22mm OD x 10.4mm ID x 20mm LONG	4
37	REPLACEMENT HARDWARE	Drawer Slide 985 VG Legrest	2
38	AR	Armrest Soft	2
39, 42, 43 & 44	PUSH-PIN	Push Pin Assembly (kit)	2
41	DETENT-PIN	Spring for Arm Bottom & Wings	4
45	REPLACEMENT HARDWARE	Screw, ¼"-20 X 1-1/8"L Truss Robertson Socket	4
46	HNDL-GRIP-985	Stand Assist Grip 985 (Rubber)	2
47	LGRT-ATT-ROD-985	Legrest Frame Attachment Rod (21" or 23")	2
48	LGRT-ELV-ROD-985	Legrest Frame Elevation Rod (21" or 23")	1
49	LGRT-ELV-TU-EL/985	Legrest Frame Elevation Tube 985 VG	1
50	LGRT-J-LEVER	Legrest Frame J-Lever	2
51	LGRT-EX-BAR-985	Legrest Frame Extension Bar 985 VG	2
52	BACK-EXT-L-985	Back Extension Frame Lower 985 VG (width)	1
53	REPLACEMENT HARDWARE	Plug With 5/16 Pass Hole	8
54	BUSH-ARM-SLV	Bushing Arm Sleeve	15
55	DIE-SPRING	Die Spring	1
56	REPLACEMENT HARDWARE	Plug RND 1" 16-18Ga Inside Ribbed	2
57	REPLACEMENT HARDWARE	Plug Rnd 1" 14-23Ga Inside Ribbed	13
58	REPLACEMENT HARDWARE	Plug Rnd ¾" x 16-18Ga Single Glide	2

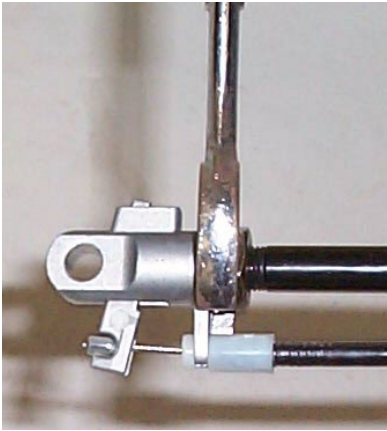
6 DÉPANNAGE COURANT ET RÉPARATION

Nous vous prions d'avoir le numéro de série du fauteuil à portée de main lorsque vous communiquez avec BRODA ou le représentant de votre région pour des pièces ou de l'assistance. Le numéro de série se trouve sur une étiquette grise apposée au dos du fauteuil.

6.1 Dépannage pour cylindres au gaz (allongement et élévation du repose-jambes)

L'utilisation d'amortisseurs au gaz (cylindres) sur les produits BRODA permet de réduire les efforts de l'intervenant au minimum lors des ajustements d'inclinaison du siège, d'allongement du dossier et d'élévation du repose-jambes, qu'il peut ainsi effectuer facilement. Les cylindres sont remplis d'azote, un gaz ni inflammable ni toxique. Les cylindres procurent une force de levage qui fait contreponds sur l'occupant, réduisant ainsi le poids devant être soulevé par l'intervenant.

Symptôme	Problème	Solution
Le fauteuil ne s'allonge pas, ne s'incline pas ou le repose-jambes ne bouge pas en appuyant sur la poignée.	La goupille à l'extrémité du cylindre n'est pas enfoncée en appuyant sur la poignée.	Assurez-vous que le câble est bien fixé au vérin du cylindre. Si le câble y est fixé, voir les étapes d'ajustement ci-dessous.
Le fauteuil (inclinaison, allongement ou repose-jambes) semble être lent à changer de position.	La goupille à l'extrémité du cylindre peut être partiellement enfoncée.	Voir les étapes d'ajustement ci-dessous.

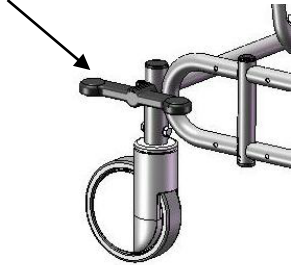
Étapes d'ajustement	
<ul style="list-style-type: none"> - Desserrez le contre-écrou situé sur la tige du cylindre au gaz, à côté du vérin (clé 17 mm ou 11/16"). - Selon le diagnostic du point précédent, déterminez si vous devez enrouler la tige davantage dans le vérin ou hors du vérin. Enroulez la tige davantage dans le vérin si le fauteuil ne s'incline pas ou ne s'allonge pas (enroulez dans le sens horaire). Vous devez enrouler la tige davantage hors du vérin si le fauteuil est lent à changer de position (enroulez dans le sens anti-horaire). - Enroulez la tige un demi-tour dans la bonne direction. - Vérifiez le fonctionnement du cylindre, et répétez les étapes ci-dessus jusqu'à ce qu'il fonctionne correctement. - Resserrez le contre-écrou desserré à la première étape. - Si l'ajustement du cylindre ne règle pas le problème, il se peut qu'il doive être remplacé. Nous vous prions alors de communiquer avec BRODA ou avec le représentant de votre région. 	 <p>Note : Le cylindre n'a pas besoin d'être enlevé du fauteuil pour faire cet ajustement.</p>

Note : Lors de l'ajustement des cylindres avec des outils qui rentrent en contact avec les tiges du cylindre, il importe de recouvrir la tige d'un morceau de courroie en vinyle, de caoutchouc ou d'un autre matériau de protection pour garder la surface coulissante de la tige intacte. Si la tige est éraflée ou marquée, cela endommagera le joint d'étanchéité du cylindre et l'endommagera.

Endommager un cylindre de cette façon annulera la garantie du fabricant.



6.2 Roulettes arrière

Symptôme	Problème	Solution
<p>La fonction de la roulette arrière est contrôlée par une simple pression du pied sur la pédale papillon. La roulette arrière ne s'engage pas à la bonne position en actionnant la pédale papillon.</p>	<p>La roulette arrière n'est plus fonctionnelle.</p>	<p>La roulette arrière doit être remplacée. Communiquez avec le représentant BRODA de votre région.</p> <p>Pédale papillon</p> 

7 GARANTIE

GARANTIE DU FABRICANT

En vigueur le 15 octobre 2018

À compter de la date d'achat, Broda garantit à l'acheteur/utilisateur original la structure latérale et les traverses situées à la base de la structure pendant la durée de vie prévue* du produit, lorsque ce dernier a été acheté chez un distributeur agréé de Broda.

**La durée de vie prévue pour la structure s'élève à dix (10) ans.*

De plus, Broda garantit que les autres composants du produit, à l'exception du coussin du siège et des housses (qui ne sont pas garantis), sont exempts de défauts de matériaux et de fabrication pendant une période de deux (2) ans à compter de la date d'achat, telle que figurant sur la commande originale. Cette garantie n'est pas transférable.

La garantie est soumise aux conditions suivantes :

Un numéro de série ou un numéro de facture est requis pour toute demande sous garantie. La garantie ne s'applique toutefois pas aux articles avec numéro de série si ce dernier a été retiré ou altéré de quelque manière que ce soit.

La garantie est valable pour les « nouveaux » achats uniquement. Tous les autres articles bénéficieront d'une garantie à la seule discrétion de Broda.

Si, au cours de la période de garantie admissible, un produit couvert s'avère défectueux à la suite d'une vérification, d'une inspection et de tests, le cas échéant, ledit produit sera réparé ou remplacé à la discrétion de Broda. Cette garantie n'inclut pas la main-d'œuvre sur le site d'utilisation.

Sur demande, les pièces défectueuses doivent être retournées à l'usine, par envoi prépayé et assuré, dans un délai de 30 jours; à défaut de quoi le propriétaire devra assumer le coût des pièces de remplacement. Des photos des pièces défectueuses peuvent être demandées comme solution de rechange au retour de produit.

Limitations et exclusions :

Cette garantie ne couvre pas les dommages résultant d'une manipulation, d'un nettoyage, d'un entretien, d'un entreposage ou d'une utilisation inappropriés. La garantie ne couvre pas les fauteuils roulants et stationnaires de Broda utilisés de quelque manière que ce soit autre que celle pour laquelle ils ont été conçus et recommandés.

Des modifications, un assemblage ou une installation incorrects des produits Broda ou l'utilisation de composants autres que Broda annulent la garantie. L'installation de pièces qui nécessitent une modification quelconque à la structure du fauteuil doit être effectuée par un représentant de Broda. Des modifications réalisées par toute personne non autorisée annuleront la garantie.

Cette garantie ne couvre pas les dommages causés par le transport (voir la politique concernant la marchandise endommagée en cours de transport).

Broda se réserve le droit de modifier la conception et la fonction d'un produit sans préavis.

L'utilisation des produits Broda demeure sous la responsabilité de l'acheteur ou de l'utilisateur. Veuillez vous reporter aux manuels d'utilisation spécifiques au modèle pour connaître ses exigences de sécurité, ses tests de contrôle et de fonctionnement, ses renseignements techniques, etc.

La garantie n'inclut pas la main-d'œuvre sur le site d'utilisation pour l'installation des pièces sous garantie ou les réparations sous garantie. Le propriétaire peut retourner à Broda des produits pour remplacement ou réparation sous garantie en expédiant à l'usine lesdits articles par envoi prépayé et assuré. Les travaux sous garantie effectués à l'usine incluent les matériaux et la main-d'œuvre. La décision de réparer ou de remplacer des pièces est à la seule discrétion de Broda. Tous les retours à l'usine doivent être préalablement autorisés par Broda.

Produits homologués WC-19 pour le transport dans des véhicules :

Les fauteuils de transport dans des véhicules ainsi que leurs options doivent obligatoirement être montés/installés en usine. AUCUNE modification ne peut être apportée à un modèle existant en ce sens, et AUCUNE réparation ne peut être effectuée sur le site d'utilisation. Tous les composants permettant le transport d'un fauteuil dans des véhicules sont soumis à des exigences d'entretien spécifiques, afin de maintenir la garantie de Broda en vigueur.

En raison des exigences de test des fauteuils de transport dans des véhicules, les limitations de la garantie Broda s'appliquent aux réparations/installations non effectuées en usine. Les travaux d'entretien et de réparation sous garantie doivent être effectués par un technicien agréé de Broda. Tout remplacement ou réparation effectués par des personnes non autorisées annulera cette garantie, et Broda n'assumera aucune responsabilité quant à la performance des composants en cause.

NE PAS modifier les fauteuils de transport. Des modifications peuvent modifier la structure et le centre de gravité de ces derniers, ce qui pourrait augmenter le risque de blessures graves infligées à l'utilisateur, et ce qui annulera automatiquement la garantie. Si un problème est détecté avec tout composant du fauteuil de transport dans des véhicules ou tout composant de ses options, ou encore tout autre composant du fauteuil, mettez immédiatement ledit fauteuil roulant ou stationnaire hors service et communiquez avec Broda sans tarder. Les fauteuils impliqués dans un accident de la route doivent être mis hors service immédiatement.

Pour toute autre question concernant notre garantie du fabricant, veuillez communiquer avec le service à la clientèle de Broda au 1 844 552-7632 ou au customerservice@Brodaseating.com.

BRODA[®]

Manual de operaciones

Silla de Ruedas Bariátrica Vanguard



Distribuidor/ Representante: Este manual debe entregarse al cuidador responsable por esta silla y su ocupante.

Cuidador: Lea este manual por completo antes de usar esta silla y guárdelo para referencia a futuro.

Índice

ANTECEDENTES	1
INFORMACIÓN GENERAL	2
1 DEFINICIONES.....	3
2 REQUERIMIENTO DE SEGURIDAD	4
2.1 Capacitación	4
2.2 Aplicación	4
2.3 Envío y almacenaje	4
2.4 Revisión antes de poner la silla en servicio.....	5
2.5 Peligros.....	5
2.5.1 Posición de la silla - "Peligro de caída"	5
2.5.2 Posición de inclinación de la silla - "Peligro de volteo"	5
2.5.3 Posición de la silla - "Peligro de que objetos se volteen o caigan"	5
2.5.4 Frenos de ruedas con bloqueo total - "Peligro de caer"	5
2.5.5 Reposicionamiento del residente - "Peligro de pellizco"	6
2.5.6 Movimientos no intencionados - "Peligro de caer o chocar"	6
2.5.7 Ropa del residente - "Riesgo de lesionar la piel del residente".....	6
2.5.8 Uso inapropiado de sujeciones - "Riesgo de lesiones graves"	6
2.6 Uso inapropiado	7
2.7 Limpieza.....	7
2.8 Mantenimiento	9
2.9 Instrucciones específicas para los residentes.....	10
3 OPERACIÓN Y MOVIMIENTO	11
3.1 Inclinación del asiento – posterior y anterior	11
3.2 Reclinación del respaldo	11
3.3 Para elevar el descansapiernas.....	12
3.4 Descansapiernas de longitud ajustable	12
3.5 Alas removibles.....	13
3.6 Soportes para hombros	13
3.7 Brazos abatibles y removibles	14
3.8 Descansabrazos de altura ajustable	15
3.9 Profundidad del asiento ajustable.....	16
3.10 Altura ajustable del asiento.....	17
3.11 Longitud ajustable del respaldo	18
3.12 Agarraderas de ayuda para ponerse de pie.....	18
3.13 Ruedas	19
3.14 Accesorios (Opciones).....	19
4 INSPECCIÓN Y PRUEBAS DE FUNCIONES	20
4.1 Inspección	20
4.2 Pruebas funcionales.....	20
5 INFORMACIÓN TÉCNICA.....	21
5.1 Especificaciones	21
5.2 Esquema de las piezas del Modelo Vanguard Elite 985 de BRODA Seating	23
6 SOLUCIÓN DE PROBLEMAS COMUNES Y REPARACIONES.....	25
6.1 Solución de problemas para cilindros de gas (reclinación y elevación del descansapiernas).....	25
6.2 Ruedas traseras.....	26
7 GARANTÍA	27

ANTECEDENTES

Felicitaciones por la compra de una silla BRODA y gracias por su confianza en nuestra empresa y nuestros productos.

BRODA asume un papel de líder al proporcionar funciones óptimas para el reposicionamiento y la movilidad de residentes de instituciones que ofrecen cuidados a largo plazo. Nuestras sillas no se parecen a las sillas tradicionales y ofrecen ventajas únicas de BRODA. Estamos seguros de que después de usar su silla BRODA se convencerá de que la calidad de vida de sus residentes mejorará en gran medida.

Este manual le ayudará a darle el mejor uso posible a la capacidad de su silla BRODA y garantizará que se familiarice rápidamente con su operación.

Después de leer este manual, si tiene cualquier pregunta sobre la operación segura y efectiva de su silla BRODA o sus accesorios, comuníquese con su representante local de BRODA o el personal de Servicio al cliente de nuestra Oficina principal para recibir ayuda adicional.

Oficina principal:

Broda

15455 Conway Road Suite 200

Chesterfield, Missouri USA 63017

Llamada sin costo en Canadá/EE.UU.: 1-844-552-7632

Fax: (844) 442-7632

Correo electrónico: sales@brodaseating.com

Internet: www.brodaseating.com

INFORMACIÓN GENERAL

Este documento es una guía sobre la operación segura y efectiva de la silla BRODA.

La información en este manual debe seguirse en todo momento.

Todas las personas involucradas con la operación o el mantenimiento de la silla BRODA, incluso los parientes de los residentes, deben leer este manual de operaciones antes de usar la silla.

El cuidador primario del residente tiene la responsabilidad de asegurarse que todas las personas que no estén familiarizadas, que no quieran o no puedan seguir las instrucciones de seguridad y operación, no tengan permitido operar o mover la silla.

Siempre debe haber una copia de este manual de instrucciones disponible.

BRODA no acepta responsabilidad alguna por daños, lesiones o accidentes ocasionados por errores de operación, mantenimiento inadecuado o por ignorar las instrucciones en este manual, incluso las instrucciones específicas para los residentes.

BRODA se reserva el derecho a hacer cambios en las especificaciones, dimensiones, funciones o componentes de sus productos sin previo aviso. Las representaciones de los productos en este manual pueden ser distintas a los productos entregados.

Cada silla BRODA tiene un número de serie único para identificación que se debe conservar en la silla al igual que todos los registros del equipo.

1 DEFINICIONES

"BRODA" significa BRODA Enterprises Inc., haciendo negocio como BRODA Seating.

"Silla BRODA" se refiere al modelo Vanguard Elite Modelo 985.

"Institución que ofrecen cuidados a largo plazo" se refiere a asilos, hospitales u otras instalaciones para el cuidado de la salud que ofrezcan cuidados de salud y atención personal a sus residentes de forma prolongada.

"Residente" se refiere a un individuo que vive en una institución que ofrece cuidados a largo plazo bajo el cuidado de cuidadores profesionales.

"Cuidador profesional" se refiere a doctores, enfermeras, terapeutas, asistentes de enfermería, asistentes de cuidados de la salud y otros especialistas que trabajan en una institución que ofrece cuidados a largo plazo y brindan atención de la salud y personal a sus residentes.

"Cuidador" se refiere a cualquier persona en una institución que ofrece cuidados a largo plazo que cuenta con la capacitación apropiada para proporcionar cuidados o servicios al residente o la silla empleada por el residente y puede incluir los parientes o el tutor del residente.

"Inclinación de la silla" se refiere al cambio con relación al ángulo entre el asiento de la silla y el marco de la silla o el piso sin cambiar el ángulo relativo entre el respaldo y el asiento.

"Reclinar el respaldo" se refiere a cambiar el ángulo relativo entre el respaldo de la silla y el asiento.

"Elevación del descansapiés" y "Elevación del descansapiernas" se refiere a cambiar el ángulo relativo entre el descansapiés de la silla y/o el descansapiernas y el asiento.

"Transferencia" se refiere al movimiento de un residente a o desde la silla con la ayuda de su cuidador.

"Transferencia mecánica" se refiere al movimiento de un residente a o desde la silla con la ayuda de un cuidador con el uso de un elevador para pacientes u otro dispositivo de ayuda que soporte el peso del residente.

2 REQUERIMIENTO DE SEGURIDAD

2.1 Capacitación

El cuidador directamente responsable por el cuidado del residente debe leer este manual por completo antes de poner la silla en servicio.

Después de poner la silla en servicio, todos los nuevos cuidadores deben de leer este manual por completo antes de operar o mover la silla.

Para fines de este manual, un pariente del residente que comparte la responsabilidad de su cuidado se considera un cuidador y está sujeto al mismo requerimiento antes de que el cuidador primario del residente le autorice operar o mover la silla.

Antes de su primer uso, el cliente debe hacer los arreglos para recibir un servicio sobre los requerimientos de operación y seguridad en este manual; el representante local de BRODA que proporcionó la silla debe otorgarlo para los cuidadores del residente.

El cuidador primario debe mantener una lista de los cuidadores que han leído este manual y quienes tienen autorizado operar y mover la silla.

El cuidador primario del residente tiene la responsabilidad de asegurarse que todas las personas que no estén familiarizadas, que no quieran o no puedan seguir las instrucciones de seguridad y operación, no tengan permitido operar o mover la silla.

El cuidador primario del residente responsable por sentarlo debe llevar a cabo la operación de la silla. Todas las operaciones y los ajustes realizados deben hacerse de forma que se garantice la seguridad, comodidad y bienestar generales del residente, el cuidador y cualquier tercero. Todas las operaciones y ajustes que se requieran para el residente deben ser determinadas por el cuidador primario del residente responsable por sentarlo.

2.2 Aplicación

Un cuidador calificado, familiarizado con las necesidades de sentar al residente en particular, debe determinar la viabilidad de una silla BRODA. Todos los otros usos de la silla se excluyen de cualquier demanda por responsabilidad civil.

El modelo Vanguard Elite no debe utilizarse en la regadera. El marco y los componentes se oxidarán, e invalidarán la garantía.

Las sillas no son resistentes a explosiones y no se deben utilizar en lugares donde haya gases o líquidos inflamables presentes (por ejemplo, anestésicos, solventes y limpiadores volátiles, etc.).

Las sillas BRODA están diseñadas para uso con piezas y accesorios específicos de BRODA. El uso de piezas y accesorios distintos a los de BRODA con una silla BRODA invalidará la garantía y la excluye de posibles demandas de responsabilidad civil.

Las sillas BRODA solamente pueden emplearse como se describe en este manual y con atención adecuada a las prácticas reconocidas del cuidado de la salud y la seguridad en el sitio de trabajo y para prevención de accidentes.

2.3 Envío y almacenaje

Las sillas BRODA deben enviarse y almacenarse en posición vertical y sin estibar más de 3 cajas. No debe enviarse o almacenarse ningún otro material sobre una caja de BRODA.

Las sillas BRODA deben enviarse y almacenarse a temperaturas de entre -20°C y 40°C. Las sillas BRODA no deben usarse hasta estar a temperaturas entre 0°C y 30°C.

Las sillas BRODA deben mantenerse en un entorno limpio y seco. No deje las sillas BRODA en el exterior ya que puede ocasionar que la pintura se pele.

Una vez recibido, la caja del envío debe revisarse de inmediato en busca de daños. Todos los daños deben anotarse en el recibo de entrega y se debe hacer una solicitud de inspección por parte de la empresa de transporte. Después, la caja del envío debe abrirse y se debe examinar la silla en busca de daños ocultos causados por el envío. Si la silla parece estar dañada, no la utilice. Haga un reporte de daños ocultos ante la empresa de transporte.

2.4 Revisión antes de poner la silla en servicio

Las sillas BRODA se entregan totalmente armadas. Si la silla no parece estar lista para su uso una vez recibida, comuníquese de inmediato con su proveedor y no ponga la silla en servicio hasta que se hayan resuelto todas las inquietudes.

Inspeccione la silla de forma visual en busca de daños, piezas faltantes y sujetadores flojos antes de probar las funciones de la silla. Las pruebas funcionales deben realizarse con éxito después de la inspección visual y antes del uso. Estas obligaciones aplican para el primer uso de la silla y todos sus usos subsiguientes (Sección 4: Inspección y pruebas funcionales).

2.5 Peligros

2.5.1 Posición de la silla - "Peligro de caída"

Después de transferir al residente sobre la silla, evaluar la cantidad de inclinación requerido para evitar que el residente resbale o se caiga hacia delante desde la silla. El cuidador del residente responsable por sentarlo debe determinar la cantidad de inclinación del asiento.

Recomendamos que los pies del residente se coloquen correctamente en el descansapiés y de poco a totalmente elevados para evitar que el residente resbale o caiga hacia delante de la silla. El cuidador del residente responsable por sentarlo debe determinar la cantidad de elevación.

2.5.2 Posición de inclinación de la silla - "Peligro de volteo"

Recomendamos que el asiento de la silla se incline lo suficiente para prevenir que un residente inquieto voltee la silla hacia delante o hacia atrás, o que se deslice y caiga de la silla. El cuidador del residente responsable por sentarlo debe determinar la cantidad de inclinación del asiento. Asegúrese siempre que el residente esté colocado correctamente antes de operar la inclinación de la silla.

2.5.3 Posición de la silla - "Peligro de que objetos se volteen o caigan"

Recomendamos que cuando un residente llegue a su destino, se coloque su silla donde el residente no pueda alcanzar pasamanos u otros objetos, fijos o móviles. De esta forma se evita que el residente jale la silla o se jale él mismo fuera de la posición del asiento y para evitar que el residente jale objetos móviles sobre la silla y él mismo.

Recomendamos que la silla se utilice en un área con supervisión para evitar que residentes, cuidadores o terceros sin capacitación realicen operaciones, movimientos o acciones no seguras no autorizadas, como por ejemplo sentarse o inclinarse en el respaldo inclinado, descansapiés o los descansabrazos elevados. Estas acciones, si no se evitan, ponen la silla en peligro de volteo o daños a la silla.

Recomendamos que las sillas se coloquen solamente en superficies planas para minimizar el riesgo de volteos.

2.5.4 Frenos de ruedas con bloqueo total - "Peligro de caer"

Las ruedas especiales utilizadas en la silla BRODA tienen frenos de bloqueo total que evitan que las ruedas rueden y giren. Los frenos deben aplicarse siempre que:

- 1) la silla no esté en uso;
- 2) se esté transfiriendo (cambiando) a un residente a o desde la silla; y
- 3) el cuidador no está moviendo la silla

Es importante notar que si los frenos de las ruedas se aplican cuando el paciente está en la silla, el cuidador no debe dejar al paciente sin atención, especialmente aquellos pacientes que tienen la capacidad o la tendencia a mover la

silla y/o los que pueden agitarse. Podría causarle daños al paciente si intenta mover la silla mientras los frenos de las ruedas están aplicados.

Nótese que es posible que sea más fácil para el cuidador operar la silla con los frenos aplicados.

No seguir estas instrucciones aumentará sin necesidad el riesgo de caídas graves de los residentes, cuidador o terceros, ocasionadas por sillas puestas en movimiento sin intención.

2.5.5 Reposicionamiento del residente - "Peligro de pellizco"

Las sillas BRODA ofrecen los beneficios de inclinación de la silla, reclinación del respaldo, elevación del descansapiernas/pies y brazos móviles. Durante el movimiento de cualquiera de estas funciones deben observarse las siguientes medidas de seguridad:

- 1) Los brazos del residente deben colocarse sobre los descansabrazos o dentro del marco con sus manos sobre su cuerpo.
- 2) Los pies del residente deben estar correctamente colocados en el descansapiernas.
- 3) Todos los frenos de la silla deben estar aplicados.
- 4) Solamente un cuidador intenta operar las funciones de la silla.
- 5) Solamente se puede operar una función de la silla a la vez.
- 6) Las ruedas traseras están en la posición trasera, detrás del marco de la silla.
- 7) El cuerpo de los residentes y los cuidadores están alejados de todos los puntos de pellizco antes de operar las funciones de la silla.

No seguir estas medidas de seguridad puede poner las extremidades de los residentes o los cuidadores en riesgo de lesiones. Los residentes que no estén concientes de la posición de su cuerpo o que no sean capaces de mantener una posición corporal segura están en mayor riesgo de pellizcarse y los cuidadores deben tener más precaución con estos residentes. Es posible que se requiera un segundo cuidador para garantizar la seguridad de estos residentes durante estas operaciones.

2.5.6 Movimientos no intencionados - "Peligro de caer o chocar"

Recomendamos las sillas BRODA para uso en interiores en instituciones que ofrecen cuidados a largo plazo y en donde no haya pendientes suficientes para ocasionar que las sillas se muevan sin ayuda. Las sillas que se utilizan donde la superficie no es lisa o está inclinada tienen el riesgo de moverse sin que se desee y podrían convertirse en un gran peligro para los residentes, los cuidadores o un tercero. Recomendamos que las sillas BRODA se coloquen a distancia de escaleras, elevadores y puertas al exterior en las instituciones que ofrecen cuidados de largo plazo.

El uso en exteriores es apropiado solamente bajo la estricta supervisión y la total atención de un cuidador que sea físicamente capaz de evitar cualquier movimiento indeseable sobre todas las superficies donde se va a viajar. Recomendamos que un segundo cuidador ayude cuando la silla se mueva sobre superficies que podrían ocasionar movimientos indeseables significativos.

2.5.7 Ropa del residente - "Riesgo de lesionar la piel del residente"

Recomendamos que los residentes se sienten únicamente cuando están completamente vestidos con ropa que satisfaga las necesidades de su condición específica. Si después de haberse vestido por completo, los brazos, piernas o el cuerpo desnudo del residente todavía puede estar en contacto directo con las correas de vinilo o los cojines de vinilo, recomendamos el uso de una cubierta, como por ejemplo el asiento y/o el respaldo cubiertos con tela de toalla de BRODA o una sabana doblada para evitar el contacto directo. El contacto directo prolongado de la piel desnuda con las correas puede ocasionar humedad en el residente, y/o causar que la piel se pegue a las correas. Antes de la operación o el movimiento de la silla con una cubierta, el cuidador debe asegurarse que todas las cubiertas colocadas en la silla no estén en contacto con ninguna de las piezas móviles y que estén bien sujetas, para que no se resbalen.

2.5.8 Uso inapropiado de sujeciones - "Riesgo de lesiones graves"

Recomendamos que se utilizan alternativas de sujeciones físicas con los residentes mientras estén sentados en la silla excepto bajo las instrucciones específicas del cuidador primario del residente y con el permiso de la familia o el tutor del residente. Las sujeciones físicas se han identificado como una causa común de lesiones graves en los residentes cuando están sentados. Recomendamos que el cuidador primario responsable por sentarlo considere primero las opciones de reposicionamiento disponibles en la silla para reducir el riesgo de deslizarse, caer o causarse lesiones.

Si se determina que una sujeción física es apropiada para prevenir deslizamientos o caídas de la silla, recomendamos que se utilice el cinturón de cadera BRODA. En todos los casos, el cuidador primario del residente es quien debe tomar la responsabilidad por la seguridad del residente si se utilizan sujeciones.

2.6 Uso inapropiado

Como se indica, el uso inapropiado de la silla es peligroso para el residente, los cuidadores o terceros, y puede consistir, sin limitaciones, lo siguiente:

- 1) Operación no autorizada de las funciones de la silla.
- 2) Movimiento no autorizado de la silla.
- 3) Uso inapropiado de la silla por parte de un residente que no ha sido evaluado por un cuidador calificado responsable por sentarlo.
- 4) No reposicionar al residente en la silla con frecuencia.
- 5) Intentar operar múltiples funciones de la silla de forma simultánea por parte de uno o más cuidadores.
- 6) Intentar mover la silla con el freno puesto.
- 7) Dejar al residente sin atención en la silla cerca de otros objetos.
- 8) Dejar a un residente inquieto en la silla en un área sin supervisión.
- 9) Dejar a un residente sin atención.
- 10) Dejar a un residente en una silla sobre una superficie con pendiente.
- 11) Dejar una silla sin atención en una superficie con pendiente.
- 12) Utilizar accesorios distintos a los de BRODA en la silla.
- 13) Usar la silla a temperaturas inferiores a 0°C.
- 14) Usar la silla como silla de regadera o baño.
- 15) Usar la silla para cualquier otro uso distinto al uso para el que se diseñó.

2.7 Limpieza

Las sillas BRODA deben limpiarse con jabón y agua. De ser necesario es posible usar limpiadores a base de amoníaco o cloro para uso casero diluidos, así como también limpiadores para hospitales.

Refiérase a la guía siguiente para limpiar con ciertos agentes de manchas (Aplica al vinilo Permablok3®, conforme a las recomendaciones del fabricante del vinilo). El marco y los componentes de la silla se pueden limpiar usando el mismo procedimiento como para el vinilo.

Los pasos siguientes también están en la Guía para limpieza en la parte trasera de la silla BRODA.

Agente de mancha

Sombra para ojos/mascara
Vaselina / loción para bronceado / chocolate
Sangre / fluidos corporales
Labial color rojo
Pintura de aceite / alquitrán / asfalto
Otras manchas difíciles

Procedimiento de limpieza

Paso 1
Paso 1
Paso 2
Paso 2
Paso 3
Paso 4 ó 5*

Paso 1: Quite el exceso del derrame con un trapo húmedo. Limpie con una mezcla 1:1 de Ivory® líquido y agua. Enjuague con agua limpia y seque.

Paso 2: Utilice una aplicación directa de limpiadores concentrados como por ejemplo Formula 409® o limpiador en aspersor Fantastik®. Después limpie con un trapo limpio. Si utiliza un limpiador para hospitales, siga las instrucciones de dilución en la etiqueta.

Paso 3: Utilice una mezcla 1:1 de amoníaco y agua o una solución 1:4 de cloro y agua. Enjuague con agua limpia y seque.

Paso 4: Utilice una aplicación directa de nafta (líquido combustible). Enjuague con agua limpia abundante y seque la superficie con golpecitos.

Paso 5: Utilice una mezcla 1:1 de alcohol isopropílico y agua. Si la mancha persiste, utilice alcohol puro. Enjuague con agua limpia abundante y seque con golpecitos. Si la mancha persiste, utilice una mezcla 1:1 de acetona y agua. Enjuague con agua limpia y seque la superficie con golpecitos.

* **Nota:** para limpiezas que requieren los pasos 4 ó 5, utilice un trapo suave de algodón con el material de limpieza y talle la mancha en círculos 10 veces. Seque con golpecitos con otro trapo suave de algodón, y revise los resultados.

Para obtener los mejores resultados de limpieza, es posible remover ciertas partes y acojinados en la silla. Las instrucciones para remover las partes siguientes están en este manual: Asegúrese que toda la silla, incluso las partes removibles y no removibles, se limpien a conciencia.

Preste atención especial al marco, conexiones, sujetadores, piezas y ruedas, así como el acojinado para obtener una limpieza profunda y total.

Remueva estas piezas para limpiarlas si así lo desea:

- 1) Alas
- 2) Brazos abatibles/removibles
- 3) Acojinado

Limpie perfectamente todas las piezas removibles y el acojinado, así como también el marco y los componentes alrededor de las piezas y el acojinado que se han removido.

Las sillas BRODA no deben limpiarse con limpiadores a base de vaselina. Todos los productos a base de vaselina que entran en contacto con cualquier superficie de vinilo deben removerse tan pronto como sea posible. Los productos a base de vaselina hacen que el vinilo sea frágil y dañarán la superficie para sentarse y los cojines. Las partes metálicas y los cojines deben secarse por completo después de limpiarlas. No aplique blanqueador al acojinado de vinilo. Es posible aplicar blanqueador al asiento y los respaldos de toalla y se pueden secar en secadora.

No permita que la silla se seque al aire. Dejar que la silla se seque al aire y no asegurarse que toda la silla esté completamente seca puede ocasionar que el marco y sus componentes se oxiden. Los solventes como por ejemplo lo que se encuentran en lubricantes en aerosol no se pueden usar en sillas BRODA ya que pueden dañar las piezas móviles.

La frecuencia y el método de limpieza para las sillas deben determinarse mediante los protocolos de control de infecciones de la institución. Si la silla está visiblemente sucia límpiela bien de inmediato conforme a las instrucciones de limpieza de este manual.

Las instrucciones de limpieza en este manual son lineamientos solamente. Los resultados pueden variar bajo circunstancias reales. Esta información no libera al usuario del uso correcto y seguro del producto y todos los agentes limpiadores y su consideración al mantenimiento de limpieza general de la silla. Las instrucciones de limpieza y cuidado deben cumplirse junto con los protocolos de control de infecciones de la institución.

BRODA no aceptará reclamos de garantía o demandas de responsabilidad civil sobre sillas que no se hayan limpiado conforme a las instrucciones o que no se hayan cuidado con la atención apropiada a la seguridad e higiene del paciente, el cuidador y terceros. El uso de ciertos agentes puede dañar la apariencia de la superficie y la duración del vinilo. BRODA no asume responsabilidad alguna resultante del uso de estos agentes de limpieza en el vinilo.

Hay pintura disponible para dar retoques en el marco cubierto de polvo. Llame al departamento de Servicio al cliente de BRODA si requiere pintura para retoques. No deje las sillas BRODA a la intemperie ya que el marco no tiene protección contra rayos UV. Dejar las sillas a la intemperie puede ocasionar que la pintura se pele.

Formula 409® es una marca registrada de Clorox Company.
Fantastik™® es una marca registrada de DowBrands, Inc.
Marca registrada de Dow Chemical Company.
Ivory® es una marca registrada de Proctor and Gamble.

2.8 Mantenimiento

El mantenimiento de las sillas BRODA variará según la frecuencia de uso y la condición del residente que utilice la silla.

Con uso regular, después de la inspección inicial y la prueba de funciones, la silla debe inspeccionarse y probarse. Recomendamos inspecciones visuales en busca de desgaste, daños, sujetadores sueltos o faltantes y otras cuestiones de seguridad. También es necesario realizar pruebas de las funciones de la silla. Si se detecta una rotura, defecto o problema operacional, la silla debe repararse correctamente, inspeccionarse y probarse en cuanto a su funcionamiento antes de utilizarla de nuevo.

La silla debe inspeccionarse y probarse cada vez que se use.

No utilice lubricantes que contengan solventes. Los solventes pueden perjudicar los componentes de goma de la silla. De ser necesario, puede utilizar grasa o lubricantes de grado alimenticio en todos los componentes que se deslizan.

3 OPERACIÓN Y MOVIMIENTO

Las medidas de seguridad descritas en la Sección 1 deben respetarse cuando se opere o se mueva la silla. Solamente los cuidadores autorizados deben intentar operar o mover una silla. El cuidador debe usar mecánicas corporales apropiadas cuando opere la silla, y debe estar preparado para soportar el peso del residente cuando opere la silla.

3.1 Inclinación del asiento – posterior y anterior

Un cilindro hidráulico operado con una bomba de pie permite que el asiento se incline fácilmente en cualquier posición desde totalmente vertical hasta el punto más bajo en su rango. La bomba de pie ayuda a reducir la fuerza de empuje. Utilice la inclinación del asiento para colocar al residente con seguridad, redistribuir presión e incrementar la comodidad.

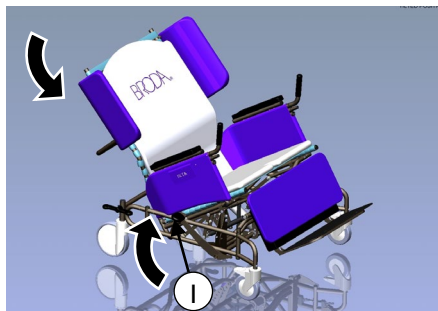
Para activar la inclinación posterior de la silla

- Coloque el pie debajo de la bomba de pie y levante.
- Baje la inclinación de la silla hasta obtener el ángulo deseado.

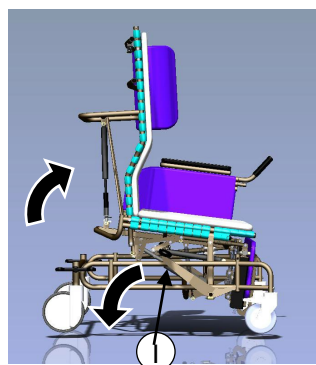
Para activar la inclinación anterior de la silla

- Coloque el pie sobre la bomba de pie y bombee hacia abajo.
- Bombee repetidamente hasta lograr el ángulo deseado.

Inclinación posterior



Inclinación anterior



3.2 Reclinación del respaldo

El modelo Vanguard Elite ofrece una función de semireclinado. Un cilindro de gas permite que el respaldo se recline en cualquier posición desde totalmente vertical hasta el punto más bajo en su rango. Utilice la reclinación del asiento para colocar al paciente, crear redistribución de presión, incrementar la comodidad, y ayudar con las actividades diarias de los cuidados.

ADVERTENCIA: Siempre incline un poco antes de reclinar para evitar que el residente resbale.

No remueva los separadores del cilindro de reclinación.

Para activar la reclinación del asiento



- Coloque su mano izquierda en la barra superior para ayudar al movimiento y presione la manija de reclinación con su mano derecha.

Levante o recline el respaldo hasta obtener el ángulo requerido.

3.3 Para elevar el descansapiernas

Los cilindros de gas permiten que el descansapiernas se coloque en cualquier posición desde horizontal hasta rebasada la vertical. El descansapiernas se eleva y extiende con la reclinación.

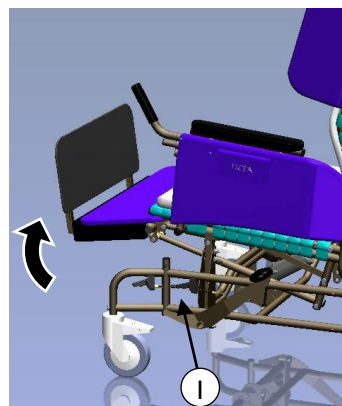
Para ajustar el descansapiernas

- Sujete el descansapiernas para ayudar al movimiento y presione la manija del descansapiernas.

- Levante o baje el descansapiernas al ángulo deseado.

- El descansapiernas se dobla bajo el asiento y la plataforma para los pies se dobla para facilitar transferencias de frente al rebasar la vertical.

El descansapiernas se articula con cambios en la reclinación del respaldo pero no así con cambios en la inclinación del asiento. Si el respaldo esta en la posición reclinada, el descansapiernas no se puede bajar de forma independiente.



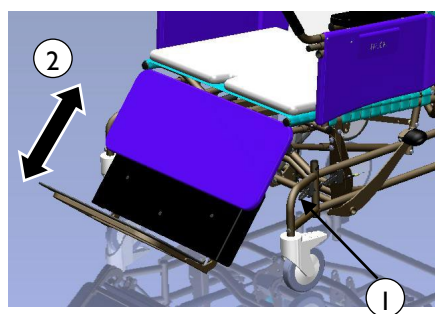
3.4 Descansapiernas de longitud ajustable

El descansapiernas del modelo Vanguard es ajustable para dar cabida a varios residentes.

Para ajustar la longitud del descansapiernas

- Presione la manija para el ajustar la longitud del descansapiernas.

- Extienda o reduzca el descansapiernas a la longitud deseada.



3.5 Alas removibles

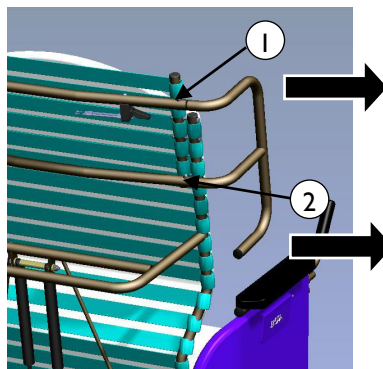
Las alas dan soporte a los soportes para hombros que ofrecen soporte lateral a la parte superior del cuerpo del residente.

Para quitar las alas:

- Oprima el botón superior (1) y mueva el ala hacia fuera del receptáculo.
- Presione el botón inferior (2) y remuévalas del receptáculo.

Para insertar las alas:

- Inserte el extremo inferior del ala en el receptáculo inferior. Después inserte el extremo superior dentro del receptáculo superior. Asegúrese que el ala esté insertada en su sitio.

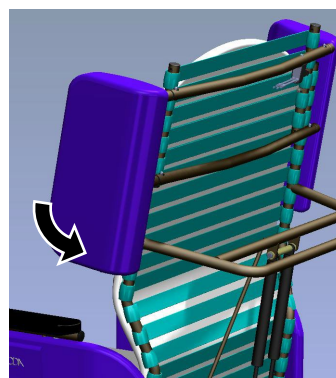


3.6 Soportes para hombros

Los soportes para hombros brindan soporte, protección y contención a la parte superior del torso y contrarrestan el desequilibrio del usuario de la silla. El soporte para hombros se utiliza siempre junto con el ala.

Para instalar los soportes para hombros:

- Con el extremo abierto apuntando hacia arriba, deslice el soporte para hombros sobre la parte inferior del ala.
- Deslice el soporte para hombros sobre la parte superior del ala y fíjelo en su sitio.



3.7 Brazos abatibles y removibles

Los brazos abatibles y removibles permiten acceso lateral para facilitar transferencias seguras y fáciles. Las sillas Elite ofrecen una opción de dos estilos diferentes de brazos: montados en el asiento o montados en la base. (Los brazos montados en el asiento se inclinan con el asiento; los brazos montados en la base permanecen en un ángulo fijo.)

Para remover los brazos montados en la base:

- Empuje el frente del descansabrazos al mismo tiempo que presiona el botón en el panel lateral y permita que el descansabrazos salga.
- Mueva el panel lateral a un lado o quítelo por completo.

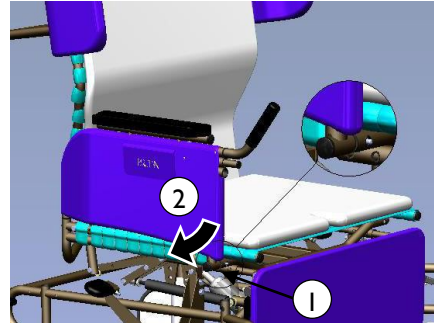
Para remover los brazos montados en el asiento:

- Empuje el botón en la parte delantera del asiento, al mismo tiempo que jale el brazo hacia fuera.
- Mueva el panel lateral a un lado o quítelo por completo.

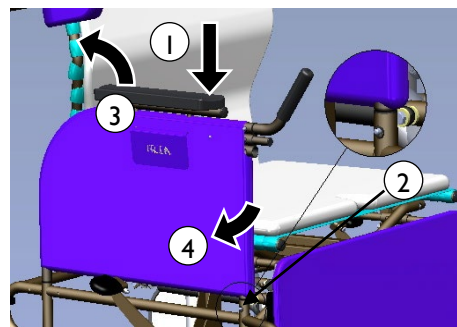
Para insertar los brazos montados en la base o en el asiento:

- Inserte el extremo trasero del panel lateral en el receptáculo trasero.
- Gire el panel lateral y hacia el frente de la silla e inserte la parte delantera del brazo en el receptáculo delantero hasta que escuche un clic.

Brazos abatibles/removibles -
Asiento montado



Brazos abatibles/removibles -
Montado a la base



3.8 Descansabrazos de altura ajustable

La altura del descansabrazos se puede ajustar fácilmente para acomodar a varios residentes. La altura del descansabrazos debe ajustarse para dar el correcto soporte al brazo del residente conforme lo determine el cuidador.

Para ajustar la altura del descansabrazos:

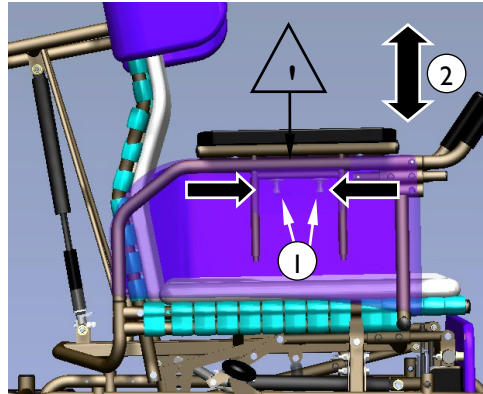
- Apriete los pasadores que se encuentran debajo de la pestaña del descansabrazos.

ADVERTENCIA: NO coloque los dedos en la parte superior de los pasadores ya que podrían pellizcarle. Coloque los dedos en la forma cóncava de los pasadores.

- Levante o baje el brazo a la altura deseada.

ADVERTENCIA: NO coloque los dedos en ningún sitio debajo del brazo mientras lo ajusta, podría pellizcarle. Después de soltar los pasadores la altura del descansabrazos se asegura en su sitio.

Asegure la pestaña exterior en el panel lateral. Cambie la altura en el otro brazo según desee.



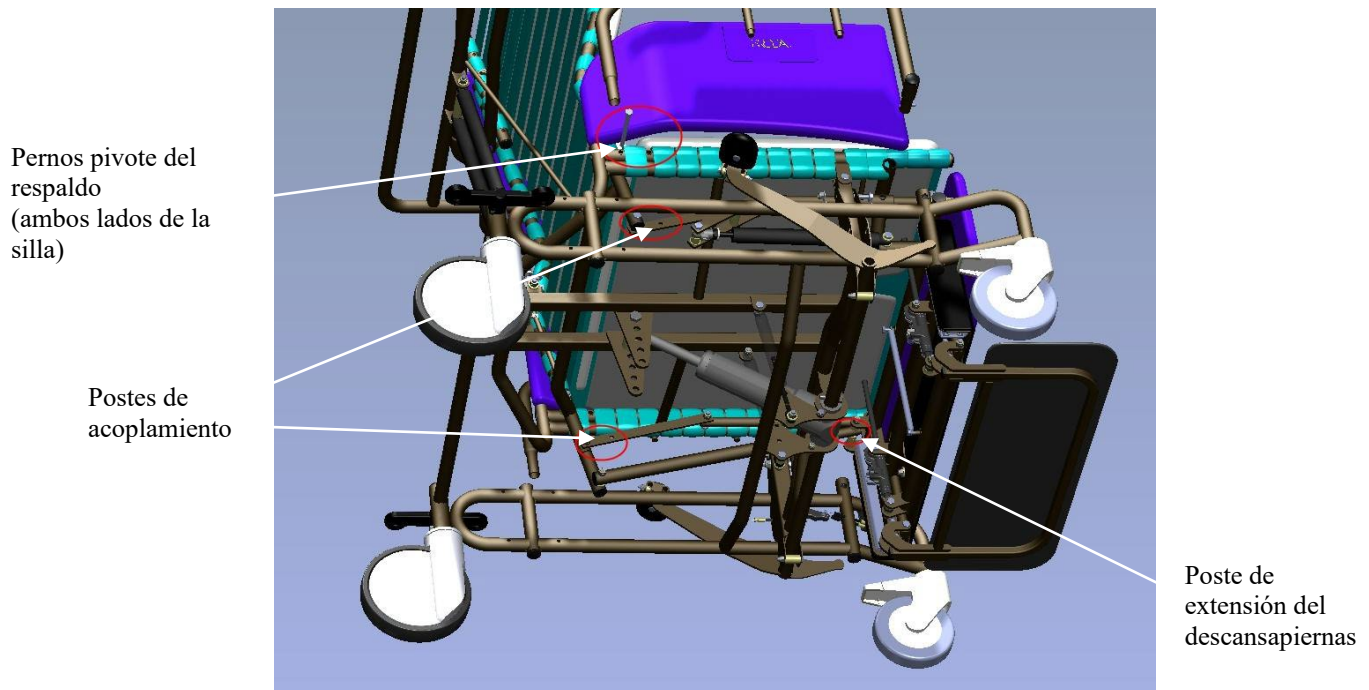
3.9 Profundidad del asiento ajustable

La profundidad del asiento es ajustable a 21" o 23". El ajuste se logra cambiando la posición del respaldo con relación al asiento.

Para ajustar la profundidad del asiento:

- Antes de quitar ningún perno, observe la orientación del perno, la tuerca y la orientación del separador y reinstálelos con la misma orientación. Cuando haga ajustes, asegúrese que los pernos se reinserten en la misma posición en ambos lados de la silla.
- Remueva los pernos del poste de acoplamiento en ambos lados de la silla y reinserte los pernos a través del orificio adicional en el poste de acoplamiento.
- Reemplace el poste de extensión del descansapiernas con la versión más corta o más larga dependiendo de que se esté acortando o alargando la profundidad.
- Remueva los pernos pivote del respaldo en ambos lados de la silla y reinserte los pernos a través del orificio adicional en el punto pivote del respaldo, para que corresponda con la dirección en la que se cambiaron los postes de acoplamiento.
- Asegúrese de que todos los pernos estén apretados.

Ajuste de la profundidad del asiento



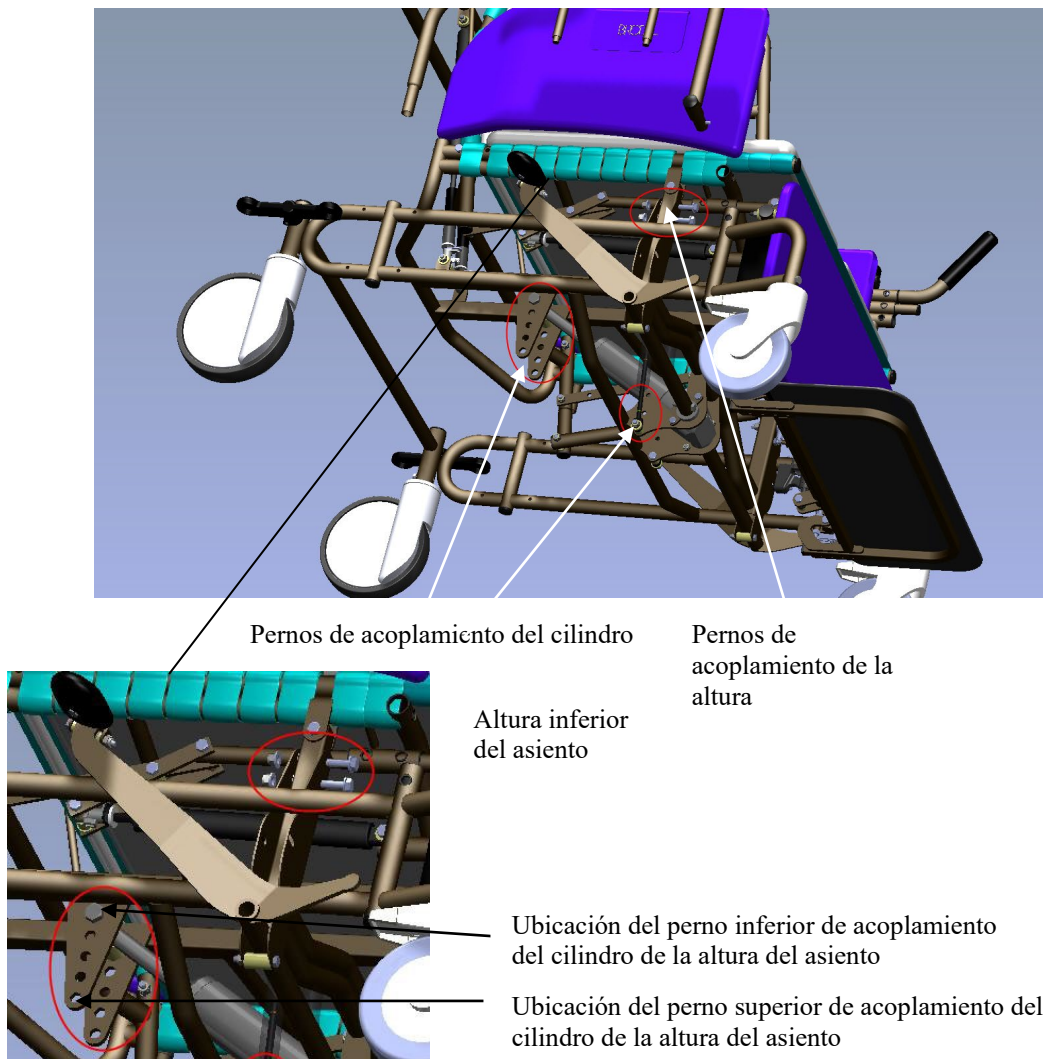
3.10 Altura ajustable del asiento

La altura del asiento es ajustable a 20", 21", 22", 23" y 24". El ajuste se logra cambiando la posición de los pernos de altura del asiento.

Para ajustar la altura del asiento:

- Antes de quitar ningún perno, observe la orientación del perno, la tuerca y la orientación del separador y reinstálelos con la misma orientación. Cuando haga ajustes, asegúrese que los pernos se reinserten en la misma posición en ambos lados de la silla.
- Cambie los pernos de la altura del asiento en ambos lados de la silla a la posición de la altura deseada para el asiento.
- Cambie los pernos de acoplamiento del cilindro para que correspondan con la altura de los pernos de acoplamiento de la altura de la silla.
- Asegúrese de que todos los pernos estén apretados.

Ajuste de la altura del asiento

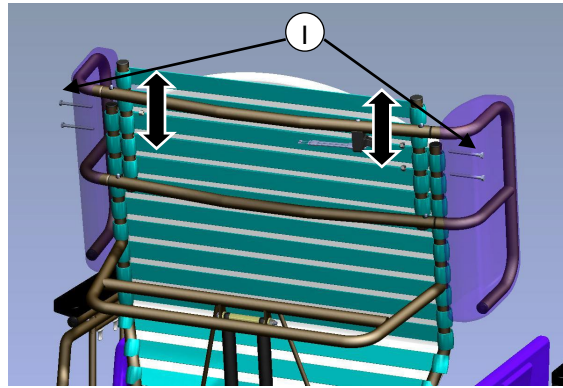


3.11 Longitud ajustable del respaldo

La longitud del respaldo es ajustable a 32", 24", 26", 38" y 40".

Para ajustar la longitud del respaldo:

- Antes de quitar ningún perno, observe la orientación del perno, la tuerca y la orientación del separador y reinstálelos con la misma orientación.
- Remueva los pernos en la extensión trasera (ubicada cerca de las alas)
- Levante o baje la extensión trasera para que corresponda con los orificios en el marco del respaldo a la longitud deseada del respaldo. Las alas son parte de la extensión trasera para permitir los cambios apropiados en la longitud del respaldo y la ubicación de las alas.
- Inserte los pernos a través de sus orificios respectivos y apriételes.



3.12 Agarraderas de ayuda para ponerse de pie

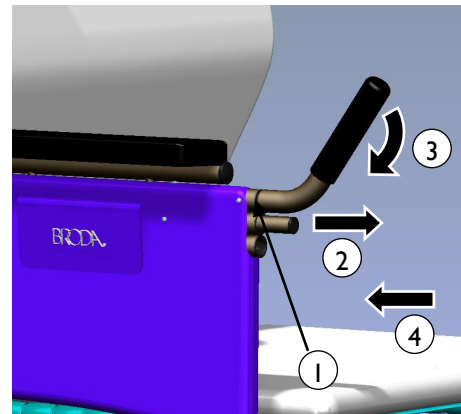
Las agarraderas de ayuda para ponerse de pie facilitan las transferencias de sentado a de pie con seguridad. Las agarraderas pueden hacerse girar hacia adentro para dar cabida a una charola de alimentos o se pueden remover por completo.

Para hacer girar/ajustar las agarraderas de ayuda para ponerse de pie:

- Presione el pasador de seguridad.
- Mientras presiona el pasador, jale las agarraderas hacia fuera.
- Haga girar hacia abajo e inserte el tubo en el receptáculo inferior.

Para remover las agarraderas de ayuda para ponerse de pie

- Presione el pasador de seguridad trasero (detrás del cojín lateral de vinilo)
- Mientras presiona el pasador, jale las agarraderas hacia fuera para liberarlas.



3.13 Ruedas

El modelo Vanguard Elite cuenta con ruedas delanteras de bloqueo total de 6" y ruedas traseras direccionales con bloqueo de 8".

Para operar las ruedas delanteras

Pise el pedal de activo/desactivo para bloquear/desbloquear las ruedas.

Para operar las ruedas traseras

La función de las ruedas traseras se controla con un paso en el pedal de mariposa.

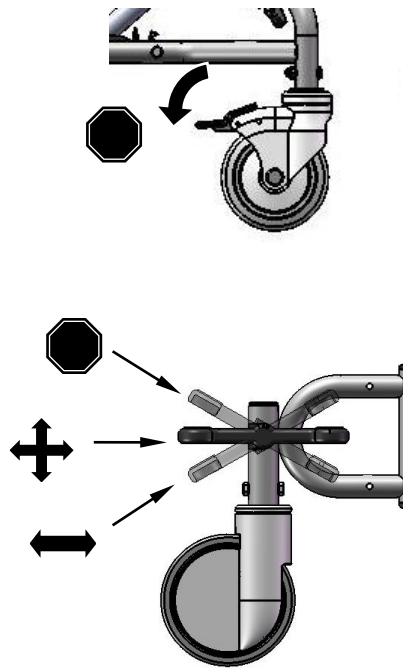
La posición guía elimina todas las funciones de giro, ideal para empujar la silla en corredores.

La posición de giro es ideal para maniobras en espacios confinados y para mover la silla lateralmente.

La posición de bloqueo evita el movimiento de ambas ruedas traseras.

Asegúrese siempre de que los frenos no estén bloqueados cuando mueva la silla.

No intente instalar rines de magnesio en las sillas modelo Vanguard Elite



3.14 Accesorios (Opciones)

Recomendamos accesorios BRODA para uso exclusivamente en sillas BRODA. La instalación correcta de los accesorios BRODA es muy importante. Recomendamos que la silla BRODA se pida con los accesorios requeridos ya instalados. Solamente los cuidadores autorizados que entienden bien procedimientos para la instalación de accesorios deben intentar instalar sus accesorios BRODA sin la ayuda de su representante BRODA local. BRODA no recomienda el uso de accesorios de otros fabricantes en las sillas BRODA.

4 INSPECCIÓN Y PRUEBAS DE FUNCIONES

Las medidas de seguridad descritas en la Sección 1 deben respetarse al inspeccionar o probar una silla. Solamente los cuidadores o el personal de mantenimiento deben intentar inspeccionar o probar una silla.

4.1 Inspección

Recomendamos inspecciones visuales regulares en busca de desgaste, daños, conectores sueltos o faltantes y otras cuestiones de seguridad. Si se detecta una rotura, defecto o problema operacional, la silla debe repararse, inspeccionarse y probarse en cuanto a su funcionamiento antes de utilizarla de nuevo.

Recomendamos que la silla se inspeccione cada uso si existe cualquier motivo de preocupación sobre la posibilidad de mayor desgaste o conexiones flojas o faltantes. El procedimiento de inspección visual debe incluir al menos la revisión de todas las conexiones (sujetadores):

El procedimiento de inspección visual debe incluir al menos la revisión de las piezas siguientes:

- 1) Los cilindros que colocan la inclinación del asiento, la reclinación del asiento y la elevación independiente del descansapiernas.
- 2) Las correas de vinilo usadas en el asiento, el respaldo, el descansapiernas, descansapiés y las alas.
- 3) Los cojines
- 4) Las manijas traseras y los cables.
- 5) Los pasadores para el ajuste de la altura del descansabrazos
- 6) La bomba de pie
- 7) Las agarraderas de ayuda para ponerse de pie

El procedimiento de inspección visual debe incluir la revisión de todos los accesorios instalados. La institución debe realizar la inspección visual, o si está en una residencia privada, la debe realizar el individuo responsable por la silla.

4.2 Pruebas funcionales

Recomendamos que la silla se pruebe en cuanto a la operación de las funciones de la silla sin un residente en la silla. Las pruebas pueden realizarse con cada uso si existe cualquier motivo de preocupación sobre la posibilidad de mayor desgaste o de daños en los componentes de la silla. Como mínimo, en uso regular la silla debe probarse en cuanto a sus funciones como se describe en la Sección 3.

Si el cuidador o el departamento de mantenimiento que realiza las pruebas funcionales considera que cualquiera de las funciones no opera correctamente, la silla debe retirarse de servicio hasta que se pueda completar una prueba funcional satisfactoria.

El cuidador o el departamento de mantenimiento que realiza las pruebas deben saber que la reclinación del asiento y la elevación del descansapiés (descansapiernas) serán más difíciles sin un residente en la silla. Al realizar reparaciones o mantenimiento, no utilice lubricantes que contengan solventes. Los solventes dañarán muchos de los componentes móviles de la silla. De ser necesario, se puede emplear una grasa blanco, de grado alimenticio (lubricante) en los componentes que se deslizan de la silla. No utilice lubricantes en aerosol en ninguna parte de la silla.

5 INFORMACIÓN TÉCNICA

5.1 Especificaciones

Especificaciones con base en un modelo Vanguard Elite 985 con asiento de 30" de ancho

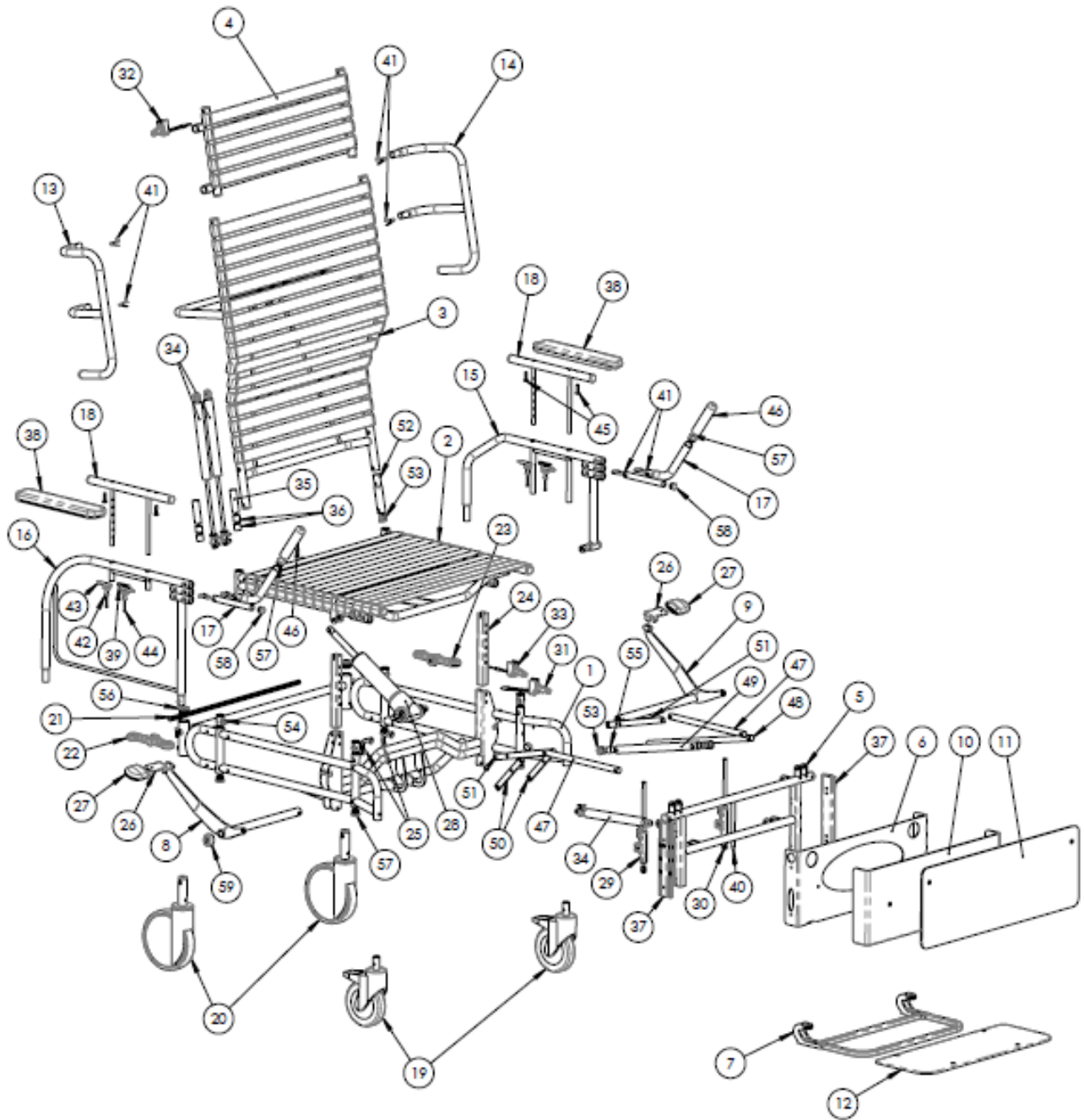
1. Reclinación del respaldo: Respaldo reclinable ajustable infinitamente hasta 45 grados
2. Inclinación de la silla: Inclinación posterior infinitamente ajustable hasta 30 grados, operado con bomba de pie
Inclinación anterior infinitamente ajustable hasta 10 grados, operado con bomba de pie
3. Bomba de pie: Ubicada en ambos lados de la silla para operar la inclinación posterior y anterior.
4. Marco: Acero tubular calibre 16 con recubrimiento de polvo
5. Superficie del asiento/respaldo: Correas Comfort Tension Seating™ de BRODA de 1.5" de ancho y .130" de grueso; contienen fungicida, retención de memoria de forma, y es de material ignífugo. Las correas tienen tejido doble en el asiento y el respaldo para brindar soporte adicional.
6. Brazos: Opción de brazos montados en el asiento o la base
Abatibles y removibles
Altura ajustable del descansabrazos
7. Descansapiernas: El descansapiernas se articula y extiende con la reclinación del respaldo.
El descansapiernas se ajusta independientemente de la reclinación del respaldo.
El descansapiernas se ajusta a cualquier ángulo entre la posición horizontal y vertical.
La longitud del descansapiernas es ajustable.
8. Descansapiés: Descansapiés abatible para facilitar las transferencias
9. Alas: Alas removibles
10. Acojinado: Acojinado removible (soportes para hombros, almohada para cuello, cojines laterales superior e inferior, cojín de asiento y respaldo con cubierta removible de toalla, cojín de pantorrilla, cubiertas adicionales de toalla)
El recubrimiento en tela de vinilo para cuidado de la salud de 34 onzas está hecho para cumplir con los requerimientos siguientes: DIN 75 200/DIN 53 438; MVSS 302, M2; CAL 117, y prueba de abrasión de servicio pesado de Wyzenbeck; cuenta con acabado antimicrobiano, antibacterial, repelente a manchas y antiestático; Fisuras al frío a -20°C. La espuma de poliuretano cumple con CAL 117-2013.

El asiento y los cojines del respaldo removibles están cubiertos con un vinilo suave de 8 onzas que cumple con el estándar de inflamabilidad CAN2-162 para textiles de hospital. La espuma de poliuretano cumple con CAL 117-2013. Se proporcionan cubiertas de toalla de algodón con ajuste previamente encogido, lavables y removibles para el asiento y los cojines del respaldo. Las cubiertas de toalla ofrecen absorción y transferencia de vapor y calor.
11. Ruedas: Ruedas delanteras de bloqueo total de 6", ruedas trasera multidireccionales con bloqueo de 8"
Llantas de goma gris que no marcan el suelo.
12. Agarraderas de ayuda para ponerse de pie: Con rotación hacia abajo y removibles.
13. Profundidad del asiento: 21" o 23" ajustable
14. Altura del asiento: 20", 21", 22", 23", 24" ajustable
15. Ancho del asiento: Modelos de 26", 28" o 30" de ancho disponibles

- 16. Longitud del respaldo: 32", 24", 36", 38", 40" ajustable
- 17. Ancho total: 39" ancho (30" ancho del asiento)
- 18. Capacidad de peso: 600 libras (272 kg)
- 19. Peso total: Aproximadamente 160 libras (asiento de 30" de ancho)

Todas las dimensiones son $\pm 0.5"$.

5.2 Esquema de las piezas del Modelo Vanguard Elite 985 de BRODA Seating (Shown with Curved Back Option)



piezas del Modelo Vanguard Elite 985 de BRODA Seating

<u>Number</u>	<u>Item</u>	<u>Description</u>	<u>Qty</u>
1	BASE-985	Base Frame 985 (width) (color)	1
2	SEAT-985	Seat Frame 985 (width) (color)	1
3	BACK-(S/C)-985	Back Frame 985 (straight or curved) (width) (color)	1
4	BACK-EXT-985	Back Extension Frame 985 VG (width) (color)	1
5	LGRT-U-985	Legrest Frame Upper 985 VG (width) (color)	1
6	LGRT-DRAWER	Legrest Frame Drawer Slider (width)	1
7	F-SINGLE-985	Footrest Frame Single 985 (width)	1
8 & 9	PUMP-LEVER-985	Pump Lever Frame 985 VG (width) (left/right)	2
10	HEEL-PLATE-985	Heel Plate ABS 985 VG (width)	1
11	CALF-PLATE-985	Calf Plate ABS 985 VG (width)	1
12	F-PLATE-985	Foot Plate ABS 985 VG (width)	1
13 & 14	WING-985	Wing Frame Removable 985 VG (left/right) (color)	2
15	ARM-BTM-SM-985	Arm Frame Seat Mount 985 VG (left/right) (color)	2
16	ARM-BTM-BM-985	Arm Frame Base Mount 985 VG (color)	2
17	HNDL-985	Frame Stand Assist Handle 985 VG	2
18	ARM-TOP	Arm Frame Height Adjustable V2/V3 (color)	2
19	CASTER-6"TL	Caster 6 Total Lock	2
20	CASTER-8"DL-985VG	Caster 8 Single Directional Locking	2
21	CTRL-ROD	Frame Wheel Control Rod (width)	1
22 & 23	MDLCPEDAL2	Multi Directional Locking Caster Pedal (left/right)	2
24	POST-HGT	Base Frame Seat Height Posts	2
25	PUMP-RTNR	Base Frame Pump Retainer	2
26	F-PUMP-PDL-985	Foot Pump Pedal	2
27	CYL-PUMP-PD	Cylinder Pump Pedal Pad	2
28	CYL-HYD-985V2	Cylinder Hydraulic Tilt 985 VG	1
29 & 30	LGRT-SLIDE-(LH/RH)985	Meclok Cyl 985 VG Legrest Length Adj (left/right)	2
31	CABLE-HAND-DBL-32RV-985	Double Cable & Handle w/32" Reversed Cable Length	1
32	CABLE-HAND-DBL	Double Cable and Handle Assembly (48" cable length)	1
33	CABLE-HAND	Cable and Handle Assembly (48" cable length)	1
34	CYL-LOCK-KIT	Cylinder Gas Spring 300N and Actuator w/lever	3
35	CYL-LIMIT	Cylinder Limiter Spacer	2
36	REPLACEMENT HARDWARE	Spacers BLK NYL 22mm OD x 10.4mm ID x 20mm LONG	4
37	REPLACEMENT HARDWARE	Drawer Slide 985 VG Legrest	2
38	AR	Armrest Soft	2
39, 42, 43 & 44	PUSH-PIN	Push Pin Assembly (kit)	2
41	DETENT-PIN	Spring for Arm Bottom & Wings	4
45	REPLACEMENT HARDWARE	Screw, ¼"-20 X 1-1/8"L Truss Robertson Socket	4
46	HNDL-GRIP-985	Stand Assist Grip 985 (Rubber)	2
47	LGRT-ATT-ROD-985	Legrest Frame Attachment Rod (21" or 23")	2
48	LGRT-ELV-ROD-985	Legrest Frame Elevation Rod (21" or 23")	1
49	LGRT-ELV-TU-EL/985	Legrest Frame Elevation Tube 985 VG	1
50	LGRT-J-LEVER	Legrest Frame J-Lever	2
51	LGRT-EX-BAR-985	Legrest Frame Extension Bar 985 VG	2
52	BACK-EXT-L-985	Back Extension Frame Lower 985 VG (width)	1
53	REPLACEMENT HARDWARE	Plug With 5/16 Pass Hole	8
54	BUSH-ARM-SLV	Bushing Arm Sleeve	15
55	DIE-SPRING	Die Spring	1
56	REPLACEMENT HARDWARE	Plug RND 1" 16-18Ga Inside Ribbed	2
57	REPLACEMENT HARDWARE	Plug Rnd 1" 14-23Ga Inside Ribbed	13

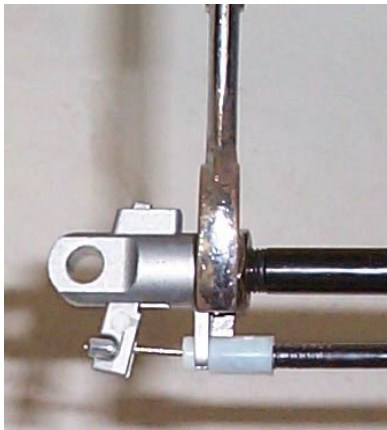
6 SOLUCIÓN DE PROBLEMAS COMUNES Y REPARACIONES

Por favor tenga el número de serie de la silla a la mano cuando se comuniqué con BRODA o su representante de área local para solicitar piezas o ayuda para su silla. El número de serie se encuentra en una calcomanía gris en la parte trasera de la silla.

6.1 Solución de problemas para cilindros de gas (reclinación y elevación del descansapiernas)

El uso de resortes con carga de gas (cilindros) en los productos BRODA permite al cuidador hacer ajustes fácilmente a la inclinación, reclinado y el descansapiernas con el mínimo esfuerzo. El cilindro de gas contiene nitrógeno, no es inflamable y no es tóxico. Los cilindros proporcionan una fuerza de empuje que corresponde al peso del ocupante por lo que reduce la cantidad de peso que debe levantar el cuidador.

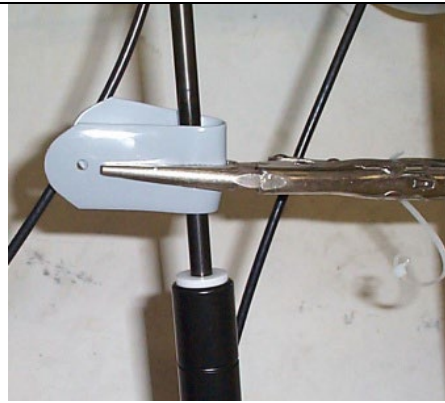
Síntoma	Problema	Solución
La silla no se reclina ni inclina o el descansapiernas no se mueve cuando se presiona la manija.	El pasador en el extremo del cilindro no se está presionando cuando se jala la manija.	Asegúrese que el cable esté conectado al accionador del cilindro. Si el cable está conectado, vea el Paso de ajuste a continuación.
La silla (inclinación, reclinación o descansapiernas) parece deslizarse lentamente fuera de su posición.	Es posible que el pasador en el extremo del cilindro esté parcialmente oprimido.	Véase los Pasos de ajuste a continuación:

Pasos de ajuste:	
<ul style="list-style-type: none"> - Afloje la tuerca que se encuentra en el vástago del cilindro de gas junto al accionador (llave de 17 mm o 11/16"). - A partir de las instrucciones anteriores determine si quiere apretar más el vástago en el accionador o sacar más el accionador. Enrosque más el vástago dentro del accionador si la silla no se inclina o reclina, (enrosque en dirección de las manecillas del reloj) y desenrosque más el accionador si la silla se desliza lentamente fuera de posición. (enrosque en dirección contraria a las manecillas del reloj). - Enrosque el vástago media vuelta en la dirección correcta. - Revise el funcionamiento del cilindro y repita el paso anterior hasta que el cilindro funcione correctamente. - Apriete la tuerca de seguridad aflojada en el primer paso. - Si el ajuste del cilindro no soluciona el problema, es posible que sea necesario reemplazar el cilindro. Sírvase 	 <p>Nota: No es necesario remover el cilindro de la silla para hacer este ajuste.</p>

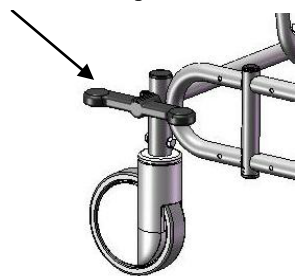
comunicarse con BRODA o su representante local del área.

Nota: Cuando ajuste los cilindros con herramientas que tocan los postes del cilindro, debe usar un trapo u otro material protector para proteger la superficie de deslizamiento del poste. Si el poste se raya o se maltrata dañará el sello en el cilindro y el cilindro fallará.

Dañar el cilindro de esta forma inválida la garantía del fabricante.



6.2 Ruedas traseras

Síntoma	Problema	Solución
<p>La función de las ruedas traseras se controla con un paso en el pedal de mariposa.</p> <p>La rueda trasera no está en la posición correcta cuando se usa el pedal de mariposa.</p>	<p>La rueda trasera ya no es funcional.</p>	<p>Debe reemplazar la rueda trasera. Comuníquese con BRODA o su representante local.</p> <p>Pedal de mariposa</p> 

7 GARANTÍA

GARANTÍA DEL FABRICANTE

En vigor a partir del 15 de octubre de 2018

Broda garantiza, a partir de la fecha de compra, los marcos laterales y los miembros transversales que se encuentran en el marco de la base, durante la Vida útil anticipada* del comprador/usuario original, cuando la compra se hace con un Distribuidor Broda autorizado. *La vida útil anticipada del marco es de 10 años.

Además, Broda garantiza que los demás componentes de sus productos, excepto el cojín y las cubiertas del asiento (que no se garantizan), carecen de defectos en material y mano de obra durante un periodo de 2 años a partir de la fecha de compra, según se indica en el pedido de compra original. Esta garantía no es transferible.

La garantía está sujeta a las condiciones siguientes:

Se requiere un número de serie o número de factura para estar cubierto en la garantía. La garantía no aplica para artículos con números de serie si el número de serie está retirado o alterado de cualquier manera.

La garantía es válida para compras “desde nueva” únicamente. Todos los otros artículos estarán garantizados a entera discreción de Broda.

Si, dentro del periodo de dicha garantía, se comprueba que cualquiera de estos productos son defectuosos mediante examen, inspección y prueba según se considere necesario, dicho producto se reparará o reemplazará a discreción de Broda. Esta garantía no incluye mano de obra en sitio.

Prevía solicitud, las partes defectuosas deberán regresarse a la fábrica, con porte previamente pagado y asegurado, en un plazo de 30 días. No hacerlo resultará en que el propietario corra con el costo de las partes de reemplazo. Se pueden solicitar fotografías de las partes defectuosas como una alternativa a regresar el producto.

Limitaciones y exclusiones:

Esta garantía no cubre daños que resulten del manejo, limpieza, mantenimiento o almacenaje inapropiado, o uso negligente. La garantía no cubre las sillas de ruedas o sillas de Broda utilizadas de cualquier otra forma, aparte del uso para el que se diseñaron y recomendaron.

Las modificaciones, armado o instalación incorrecta de los productos Broda o el uso de piezas ajenas a Broda invalidan la garantía. La instalación de partes que requiera que se altere el marco de cualquier forma, deberá llevarla a cabo un Representante de Broda, los trabajos no autorizados invalidarán la garantía.

Esta garantía no cubre daños por embarque (véase la Política de Daños por embarque).

Broda se reserva el derecho a hacer cambios en diseño del producto y aplicación del producto sin previo aviso.

La aplicación de los productos Broda permanecerá responsabilidad del comprador o usuario. Sírvase referirse a los manuales de instrucciones de operación para el modelo específico en cuanto a requerimientos de seguridad, pruebas de inspección y operación, información técnica y mucho más.

La garantía no incluye mano de obra en el sitio para la instalación de las piezas de garantía o reparaciones de garantía. El propietario puede regresar a Broda productos para reemplazo por garantía o reparación enviando los artículos con porte pagado y con seguro a la fábrica. La garantía realizada en la fábrica incluye tanto material como mano de obra. La decisión a a reparar o reemplazar piezas está a discreción de Broda. Todas las devoluciones a la fábrica requieren de la autorización previa de Broda.

Productos certificados para transporte WC-19:

Los productos y opciones para transporte en vehículos están disponibles mediante instalación en fábrica únicamente. NO se deben modificar o instalar en modelos existentes ni deben repararse en el campo. Todos los componentes de los vehículos para transporte en vehículos están sujetos a requerimientos de mantenimiento específicos, a fin de conservar la garantía de Broda.

Debido a los requerimientos de pruebas de la silla para transporte en vehículos, las limitaciones de la garantía de Broda aplican a reparaciones no instaladas en la fábrica. Las reparaciones de garantía y mantenimiento debe hacerlas técnicos de servicio autorizados por Broda. Todos los reemplazos o reparaciones hechas por personas no autorizadas invalidarán la garantía y Broda no asumen responsabilidad civil alguna por el desempeño de dichos componentes.

NO modifique la silla para transporte. Las modificaciones pueden cambiar la estructura y el centro de equilibrio de la silla para transporte, lo que puede incrementar el riesgo de lesiones graves para el usuario e invalidar la garantía. Si se detecta cualesquier problema con cualquiera de los componentes de productos y opciones para transporte en vehículos de la silla, saque de servicio la silla de ruedas o silla y comuníquese con Broda de inmediato. Las sillas involucradas en accidentes vehiculares deben sacarse de servicio de inmediato.

En caso de cualesquier otras dudas o preguntas sobre nuestra Garantía del fabricantes comuníquese con el Servicio al cliente de Broda al 1-844-552-7632 o customerservice@Brodaseating.com