

Patient, Facility, & Caregiver Benefits

- Lasts 5x longer than PVC shower chairs, backed by 10-year frame warranty!
- Safe, dignified hygiene with anti-microbial, tension-adjustable upholstery
- Robust, rust-resistant stainless steel frame with anti-tip devices for a secure hygiene experience



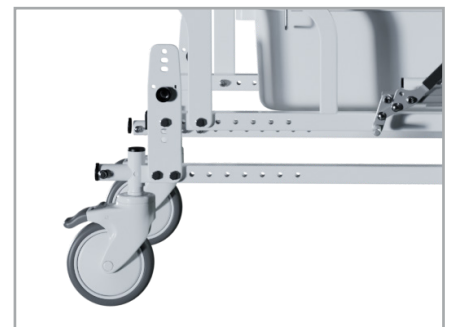
Shown with standard mag wheel configuration and optional bedpan and basket



All wheels can be converted to casters



2-in-1 solid seat and commode is highly-versatile and easily mountable in all four directions



Configurable with either anti-rust, PVC mag wheels or cost-effective casters



Fold-up arm supports and swingaway leg supports allow for easy bathing and transfers

Durable, Intuitive, & Highly Adjustable

SPECIFICATIONS

WEIGHT CAPACITY	300 lbs. (136 kg)				
SEAT WIDTHS	18 in (46 cm)	20 in (51 cm)	22 in (56 cm)		
SEAT DEPTHS	16 in (41 cm)	17 in (44 cm)	18 in (46 cm)	19 in (49 cm)	
BACK LENGTHS	16 in (41 cm)	18 in (46 cm)	20 in (51 cm)	Angle adjustable to 5°, 10°, 15°	
SEAT SURFACE HEIGHTS	ADJUSTABLE 19.5 in (50 cm) - 23.5 in (60 cm)				
WHEELS - MAG WHEELS	REAR Mag Wheels 24 in (61 cm)				
WHEELS - CASTER WHEELS	FRONT Total Lock Caster Wheels 5 in (13 cm)				
	REAR Directional Lock Caster Wheels 5 in (13 cm)				
	REAR Total Lock Caster Wheels 5 in (13 cm)				
LIFETIME FRAME WARRANTY	16-Gauge Tubular Steel Frame 10 YEARS				
SPECIAL FEATURES	Simple Lateral Transfers and Self Propelled Mobility				



Additional accessories are available, including foot supports, trays, positioning straps, padding packages, and more!

[Click here to see accessories, color options, order forms, and more!](#)



Encore Rehab Wheelchair

Broda's Encore Rehab Wheelchair offers a with a universal seating system, customizable for each user's seating and positioning needs. With 33 degrees of infinitely-adjustable tilt and an optional dynamic rocking feature, the Encore is perfect for a wide variety of care environments.